

NORTH AMERICA**USA**

packaging.us@storopack.com
www.storopack.us

Cincinnati

Head Office
4758 Devitt Drive
Cincinnati, Ohio 45246
Phone +1 513 874 0314
Fax +1 513 874 2955

Cincinnati

4663 Dues Drive
Cincinnati, Ohio 45246
Phone +1 513 860 1804
Fax +1 513 860 4082

Atlanta

6140A Duquesne Drive
Atlanta, Georgia 30336
Phone +1 404 344 6451
Fax +1 404 344 4734

Boston

125 Flanders Road
Westboro, Massachusetts 01581
Phone +1 508 366 1249
Fax +1 508 366 9539

Chicago

320 Craig Place
Hillside, Illinois 60162
Phone +1 708 547 8030
Fax +1 708 547 8096

Cleveland

3135 Berea Road
Cleveland, Ohio 44111
Phone +1 216 941 7225
Fax +1 216 251 4744

Dallas

5050 Duncanville Road
Dallas, Texas 75236
Phone +1 972 296 9535
Fax +1 972 296 9843

Edison

87 Sunfield Avenue
Raritan Center
Edison, NJ 08837
Phone +1 732 560 1489
Fax +1 732 560 1494

Los Angeles

12007 S.Woodruff Avenue
Downey, California 90241
Phone +1 562 803 5582
Fax +1 562 803 4462

Memphis

4290 Delp Street
Memphis, Tennessee 38118
Phone +1 901 367 8053
Fax +1 901 367 8055

Miami

11825 N.W.100th Road,
Suite 4
Medley, Florida 33178
Phone +1 305 805 9696
Fax +1 305 805 9697

Minneapolis

12873 Industrial Park Blvd
Plymouth, MN 55441
Phone +1 763 542 8351
Fax +1 763 542 3147

Opa-Locka

2390 NW 149th Street
Opa-Loka, Florida 33054
Phone +1 305-685-1773
Fax +1 305-685-2345

Phoenix

77 North 45th Avenue
Phoenix, Arizona 85043
Phone +1 602 484 0831
Fax +1 602 278 1011

San Jose

2210 Junction Avenue
San Jose, California 95131
Phone +1 408 435 1537
Fax +1 408 922 0316

Seattle

20418 87th Avenue South
Kent, Washington 98031
Phone +1 253 872 6844
Fax +1 253 872 5722

Tampa

4724-38 Transport Drive
Tampa, Florida 33605
Phone +1 813 247 4226
Fax +1 813 247 3677

Tampa

3602 South 78th Street
Tampa, Florida 33619
Phone +1 813-626-8684
Fax +1 813-623-5488

Winston-Salem

2598 G Empire Drive
Winston-Salem, North Carolina
27103
Phone +1 336 765 7767
Fax +1 336 760 4426

CANADA

packaging.us@storopack.com
www.storopack.ca

Toronto

10 Woodslea Road, Unit 2
Brampton, ONT L6T 5P2
Phone +1 905 792 9567
Fax +1 905 792 8737

SOUTH AMERICA**BRAZIL**

www.storopack.com.br

São Paulo

Rua Tianguá, 135
Cep 04363-100 São Paulo
Phone +55 11 5677 4699
Fax +55 11 5677 4699

ASIA**HONG KONG**

www.storopack.hk

New Territories

Unit A, 6th Floor
Wah Wing Ind. Bldg.
14-20 Wing Yip Street
Kwai Chung, N.T.
Hong Kong
Phone +852 3421 2392
Fax +852 3421 2720
packaging.asia@storopack.com

JAPAN

www.storopack.asia
packaging.asia@storopack.com
Kanagawa
86-2, Shake, Ebina-shi,
Kanagawa

243-0424 Japan

Phone +46 237 3003
Fax +46 237 3090

INDIA

www.storopack.in
packaging.india@storopack.com

Pune

101, Pentagon P 3, Magarpatta
City,
Hadapsar, Pune – 411028
Phone +91 20 268
98310/20/21

THAILAND

www.storopack.com

Bangkok

496-502 Amarin Plaza, 18th Floor,
Ploenchit Rd., Lumpini,
Pathumwan, Bangkok lo33o
Phone +66 (0) 9 0552 6069

EUROPE**GERMANY**

packaging.de@storopack.com
www.storopack.de

Metzingen

Head Office
Untere Rietstraße 30
D-72555 Metzingen
Phone +49 (0)7123 164-0
Fax +49 (0)7123 164-119

Service Center

Max-Holder-Str. 19
D-72555 Metzingen
Phone +49 (0)7123 164-0
Fax +49 (0)7123 164-246

Dietzenbach

Waldstraße 32
D-63128 Dietzenbach
Phone +49 (0)6074 48 70-150
Fax +49 (0)6074 48 70-166

Hamburg

Asbrookdamm 40
D-22115 Hamburg
Phone +49 (0)40 7 15 99-0
Fax +49 (0)40 7 15 99-44

Mülheim (Ruhr)

Gewerbeallee 11
D-45478 Mülheim
Phone +49 (0)208 589 89-0
Fax +49 (0)208 591 812

Wildau

Gewerbepark 31
D-15745 Wildau
Phone +49 (0)3375 57 8-6
Fax +49 (0)3375 57 8-700

BENELUX

packaging.be@storopack.com
www.storopack.be
(Belgium & Luxembourg)
www.storopack.nl (Netherlands)

Machelen

Head Office
Nieuwbrugstraat 79
B-1830 Machelen
Phone +32 (0) 2 756 80 90
Fax +32 (0) 2 756 80 70

Harelbeke

Kortrijksesteenweg 321/1
B-8530 Harelbeke
Phone +32 (0) 56 35 72 55
Fax +32 (0) 56 35 07 68

Wuustwezel

Kerkplaats 7
B-2990 Wuustwezel
Phone +32 (0) 3 669 99 80
Fax +32 (0) 3 669 91 94

ENGLAND

packaging.uk@storopack.com
www.storopack.co.uk

Brackley

Boundary Road
Buckingham Road Industrial
Estate
GB-Brackley NN13 7ES
Northamptonshire
Phone +44 (0)1280 703161
Fax +44 (0)1280 701915

Sheffield

8 Julian Road
Roman Ridge Industrial Estate
GB-Sheffield S9 1FZ
Phone +44 (0)114 249 2004
Fax +44 (0)114 249 2006

FRANCE

packaging.fr@storopack.com
www.storopack.fr

Lyons

592, rue de la liberté
F-01480 Jassans Riottier
Phone +33 (0)3 25 55 41 52
Fax +33 (0)3 25 55 46 04

Nully

10, Rue de L'Orgisset
F-52110 Nully
Phone +33 (0)3 25 55 41 52
Fax +33 (0)3 25 55 46 04

ITALY

packaging.it@storopack.com
www.storopack.it
Via Gennari 43/a
IT-44042 Cento (Fe)
Phone +39 051 6832100
Fax +39 051 6831292

POLAND

packaging.pl@storopack.com
Olgiard Jarzembowski
Phone +48 530795475

SWITZERLAND

packaging.ch@storopack.com
www.storopack.ch

Stetten

Im Stetterfeld 1
CH-5608 Stetten
Phone +41 (0) 56 677 87 00
Fax +41 (0) 56 677 87 01

SCANDINAVIA

Janne Karlsson
Phone +46 708 100 699

SPAIN

packaging.es@storopack.com
www.storopack.es

Sant Boi de Llobregat

Andorra, 4
E-08830 Sant Boi de Llobregat
(Barcelona)
Phone +34 93 6 525 210
Fax +34 93 6 309 550

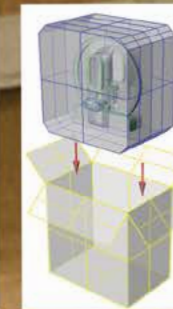
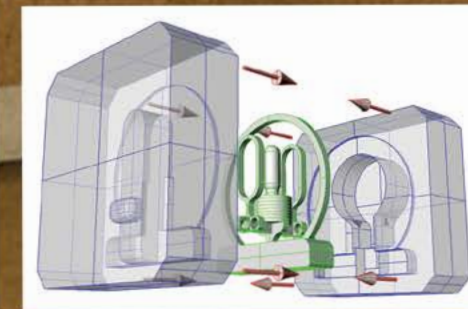
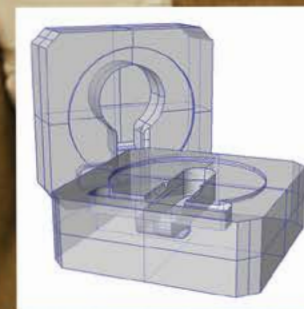
TURKEY

packaging@storopack.com
www.storopack.com.tr

Istanbul

Levent No 193 Binasi
Büyükdere cad. No 193 K.2
TR-34394 Istanbul
Phone +90 532 556 19 17

FOAMplus® - Custom Premold Foam Solutions



The Smart Choice in Ready-to-use, Custom-fit Protective Packaging.

FOAMplus® Premold Urethane Protective Packaging from Storopack offers a sound choice over other types of preformed protective packaging, wrapping or cushioning materials. With our efficient, cost-saving mold design and creation process, secure custom fit product protection, and the prospect of faster, easier packing, you benefit from multiple improvements to your packaging process.

Conscientious Design Combined With Maximum Product Protection

We design your premold protective packaging to reduce dunnage and minimize package size for DIM weight efficiencies. A variety of foam densities are available to provide the correct cushioning protection for a wide range of products. Your premold packaging can be created to pass most ISTA testing methods, plus we offer certain testing simulations at our facility. You'll find we have extremely high customer satisfaction due to the damage-free arrival of products.

Our Efficient CAD Design and Tooling Process Saves You Time and Money.

Using a state-of-the-art CAD system, our experienced design staff renders an accurate design concept from your provided CAD drawing of a product. This method minimizes errors and allows a design tolerance of 1/32" to insure your product fits perfectly into the finished cushion.

We're able to provide a complete printed proof for your review before you spend any money on sample tooling. Our drawings are detailed, showing 3-D renderings of each foam part, critical dimensions, and even the carton size and packing process. Any

necessary adjustments can be easily made then presented in a revised printed proof accompanied by an estimate.

Storopack's premold urethane solution provides you with accurate, custom molded packaging for very low tooling cost. You're looking at a couple of hundred dollars per mold compared to the many thousands you would spend on tooling for EPS or EPP molds. Plus, unlike many of our competitors who build their molds by hand, we use CAM software and a CNC machine to build our molds. This process reduces lead-time on initial orders and provides consistency on duplicate molds.

Can be created to pass any ISTA testing method.

Reduced dunnage and improved overall package size for DIM weight efficiency.

Variety of foam densities available for proper cushioning protection.

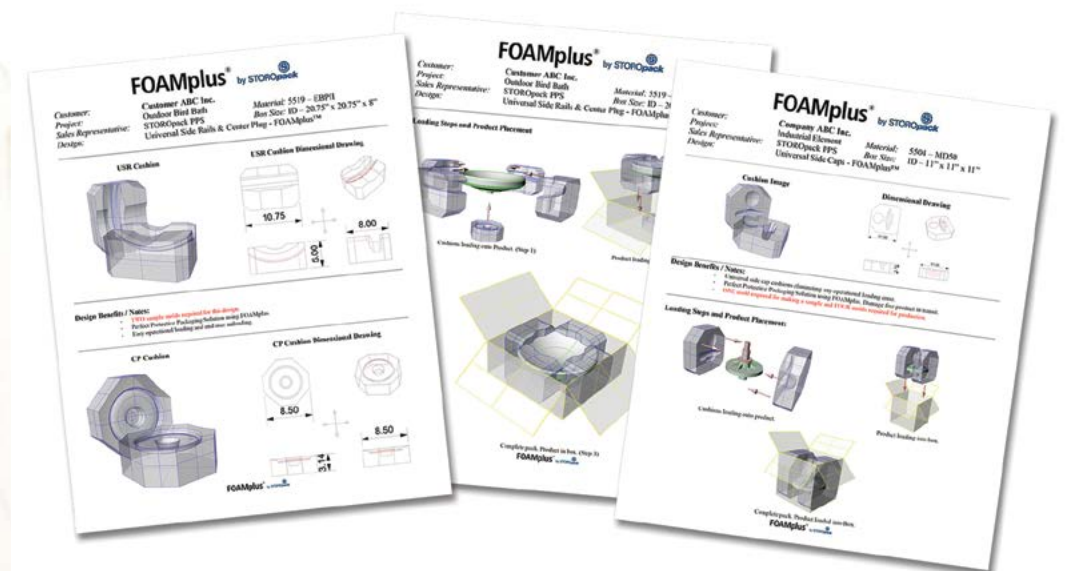
Accurate design and consistent production process guarantees a perfect fit every time.

Works to fit products as small as 4" x 4" x 1".

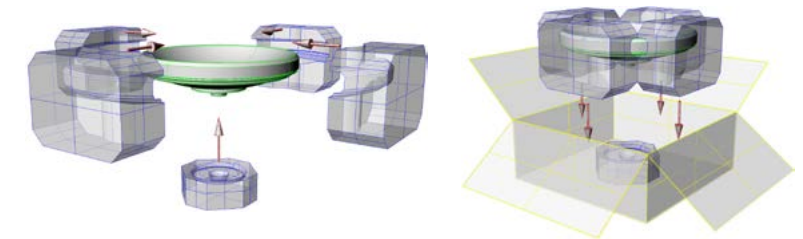
Produced and delivered from 17 convenient locations across North America.



Review detailed printed CAD proofs before you spend any money on tooling.



Designs include demonstration of the complete packing procedure.



Visit storopack.us for more Perfect Protective Packaging ideas.