

# Hänel Advantages

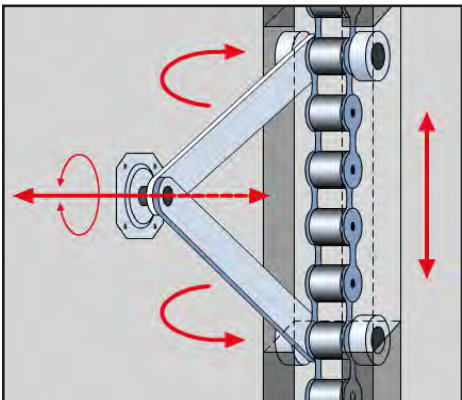
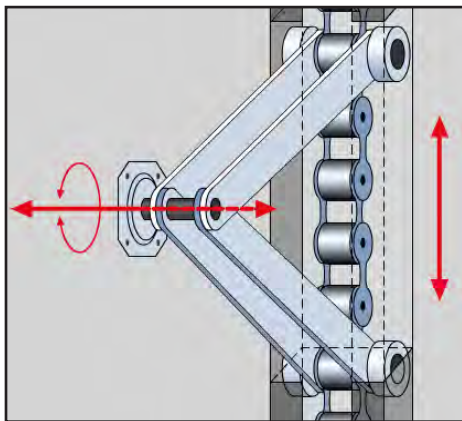


## Rotomat® Vertical Carousel

Office and industrial designs meet the unique demands of each user.

Over 50 years of continual development and improvement.

Robust, 4-point suspension system is more reliable than a simple 2-point suspension system.



V-2A wear-resistant work counter allows bins and totes to slide effortlessly in and out of machine.

2-piece access-opening door is naturally balanced for smooth operation with no counterweights.

Fluorescent or optional LED work lighting in access opening area.

Multifunction carriers are easily adapted at any time to meet changing storage requirements.

Telescoping drawers ride on triple bearings for reliability.

Double locking mechanism on drawers and doors ensure safety.

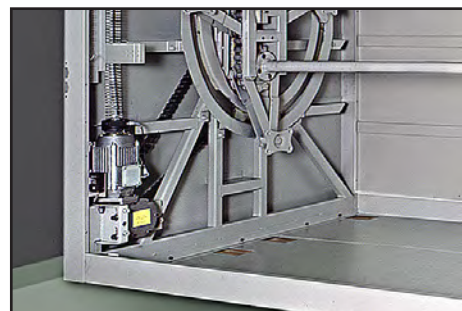


Safety thresholds at the top and bottom of the access point help keep operator safe by immediately halting rotation.

Safety light curtain in access opening helps to protect operator by bringing rotation to an immediate halt if safety threshold is crossed.

Safety bypass mode allows operator to safely retrieve items from the machine if a safety system fails.

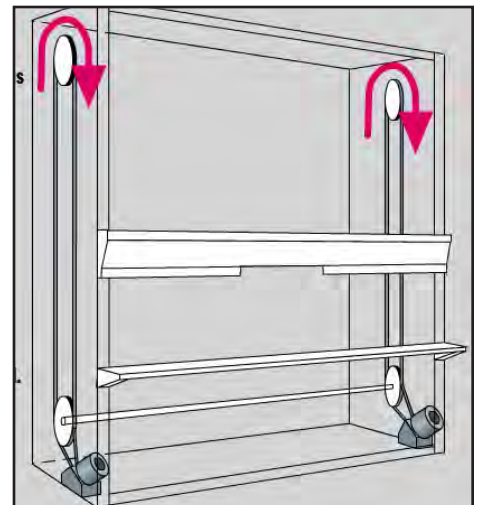
Drive mechanism mounted in carousel housing to ease service access.



All maintenance and servicing is done from the front of the unit with no need to dismantle for access.



Pre-assembled Rotomat sections make assembly faster and maintain a higher level of strength and quality than multiple components assembled on site.



Dual motor design provides more power with redundancy for longer life and emergency operation.

Load imbalance indicator assists in proper loading to avoid excess wear and unsafe operating conditions.

Refrigerated units available for storage to -14° Fahrenheit.