

# JDN SUPRA-LOW MONORAIL HOISTS

## "Supra" Strength for Small Spaces From 4 Ton to 100 Ton Capacity, Air Pressure 85 PSI (6 Bar)

In locations with very restricted headroom, JDN Supra-Low Headroom Monorail Hoists lift and transport loads up to 100 ton. Their special design gives them access to areas where standard hoist trolleys, even low head configurations, are unable to meet your needs.

### ■ FEATURES

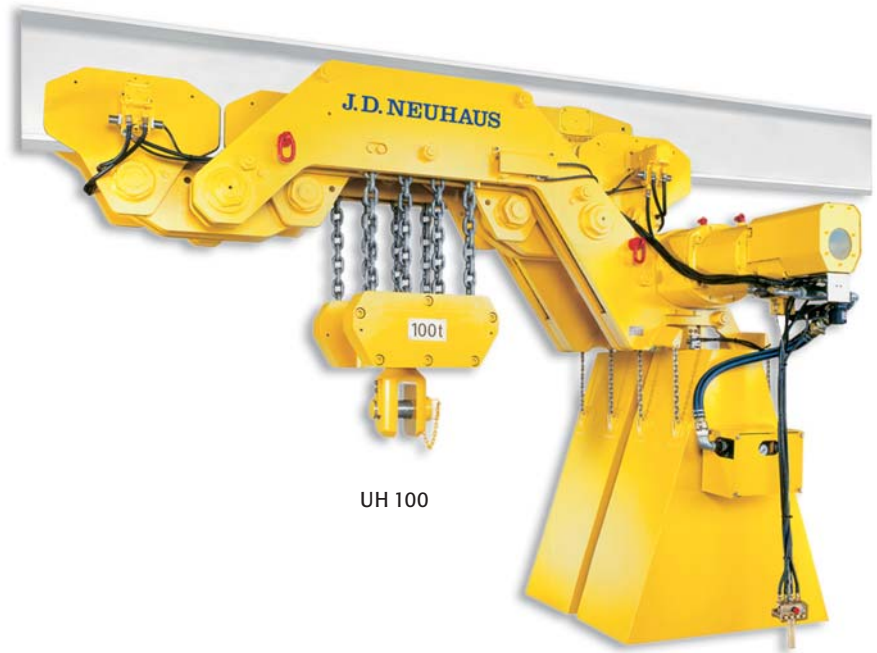
- Special load chain guiding system to prevent side plate bending – a unique design
- Lowest headroom in its capacity range
- Trolleys feature anti-drop and anti-climb device
- High efficiency, multi-vane drives for the hoisting and travelling section
- All steel and cast iron design for highest performance in harshest environments
- Explosion-proof
- Positive start-up system to enable a smooth motor operation

### ■ OPTIONS

- Chain container
- Offshore paint
- Spark-resistant package
- Delta-P overload protection

### ■ APPLICATIONS

- Oil industry:  
BOP handling on oil and gas drilling rigs.
- Paper mills:  
Handling of drying rollers in tight restricted areas on top of the production line.
- Maritime Industry:  
Piston-pulling and handling components of engines or gearboxes in tight areas of ship engine rooms.
- Newspaper Industry:  
Handling rollers in printing presses, installation of printing presses.



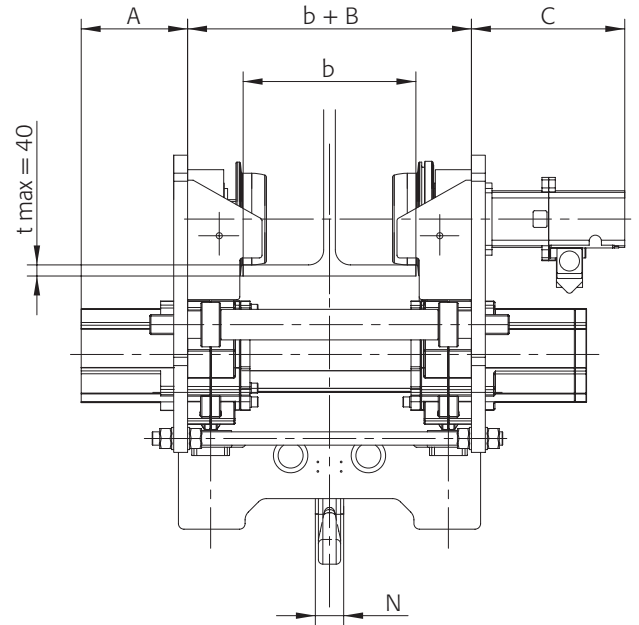
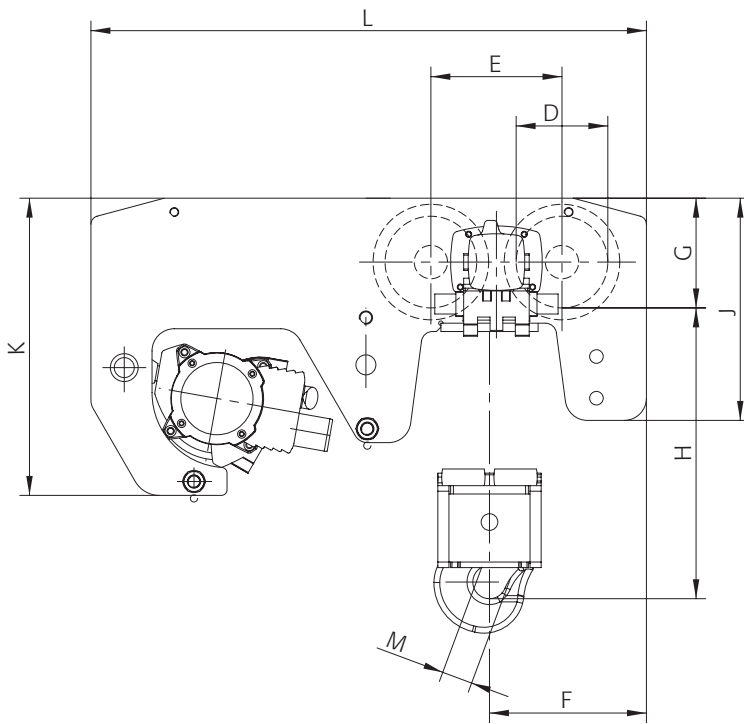
UH 100

### ■ TECHNICAL DATA

Type		UH 4	UH 6	UH 8	UH 12
Carrying capacity	mt	4	6	8	12
Number of chain strands		2	2	4	4
Engine output	kW	2.5	2.5	2.5	2.5
Air pressure	PSI	87	87	87	87
	Bar	6	6	6	6
Lifting speed at full load	ft/min	9.84	6.56	4.59	2.95
	m/min	3.0	2.0	1.4	0.9
Lifting speed without load	ft/min	19.69	14.76	9.51	7.22
	m/min	6.0	4.5	2.9	2.2
Lowering speed at full load	ft/min	24.61	17.06	11.81	8.20
	m/min	7.5	5.2	3.6	2.5
Air consumption Lifting – full load	cfm	141.26	141.26	141.26	141.26
	m <sup>3</sup> /min	4.0	4.0	4.0	4.0
Air consumption Lowering – full load	cfm	194.23	194.23	194.23	194.23
	m <sup>3</sup> /min	5.5	5.5	5.5	5.5
Air connection		G 3/4	G 3/4	G 3/4	G 3/4
Hose dimension (Ø inside/Ø outside)	inch.	0.75/1.22	0.75/1.22	0.75/1.22	0.75/1.22
	mm	19/31	19/31	19/31	19/31
Weight at standard lift without control	lbs	1014.13	1036.17	1190.50	1212.54
	kg	460	470	540	550
Chain dimension	inch.	0.51 x 1.42	0.51 x 1.42	0.51 x 1.42	0.51 x 1.42
	mm	13 x 36	13 x 36	13 x 36	13 x 36
Weight of 1 m chain	lbs	8.38	8.38	8.38	8.38
	kg	3.8	3.8	3.8	3.8
Standard lift	ft	10	10	10	10
	m	3	3	3	3
Length of control at standard lift	ft	6.5	6.5	6.5	6.5
	m	2	2	2	2

Technical data for higher capacities on request.





## DIMENSIONS

Type		UH 4	UH 6	UH 8	UH 12
A	inch. mm	7.68 195	12.01 305	7.68 195	12.01 305
B	inch. mm	7.87 200	7.87 200	7.87 200	7.87 200
C	inch. mm	11.02 280	11.02 280	11.02 280	11.02 280
D	inch. mm	6.50 165	6.50 165	6.50 165	6.50 165
E	inch. mm	9.29 236	9.29 236	9.29 236	9.29 236
F	inch. mm	12.99 330	12.99 330	11.14 283	11.14 283
G	inch. mm	7.78 197.5	7.78 197.5	7.78 197.5	7.78 197.5
H*	inch. mm	9.06 230	9.06 230	- -	- -
H*	inch. mm	- -	- -	11.61 295	11.61 295
H*	inch. mm	- -	- -	10.87 276	10.87 276
J	inch. mm	15.75 400	15.75 400	15.75 400	15.75 400
K	inch. mm	21.06 535	21.06 535	21.06 535	21.06 535
L	inch. mm	39.37 1000	39.37 1000	39.37 1000	39.37 1000
M	inch. mm	1.57 40	1.57 40	1.73 44	1.73 44
N	inch. mm	2.01 51	2.01 51	2.60 66	2.60 66

\*Depends on beam dimensions, please consult factory.  
Technical data for higher capacities on request.