



# ARPACSTRETCH™ PRO-SERIES®

## SEMI-AUTOMATIC PLATFORM STRETCH WRAPPER WITH POWERED PRE-STRETCH

The PRO-SERIES® is often purchased with the WRAP-N-WEIGH® feature that combines wrapping and weighing operations. A precision scale and digital controls are integrated into the machine which brings greater economy and efficiency to any wrapping operation requiring weighing.

This 4,000 lb. capacity system is available with a high profile turntable for forklift loading, or low profile turntable for pallet-jack loading.

The PRO-SERIES® can be customized to suit your material handling requirements with extended towers for taller loads and split frames for odd-sized larger loads.

The PRO-SERIES® is part of a robust line of stretch wrapping equipment designed to maximize stretch film usage while ensuring the very best load unitization. All ARPACSTRETCH™ equipment is constructed with heavy-duty reinforced structural steel, and finished with non-corrosive powder coat finish, to guarantee years of reliable wrapping. The PRO-SERIES® is manufactured in the USA and sold through our nationwide distributor network.

Variety of turntable sizes are available for applications where the full skid or slip sheet needs support.



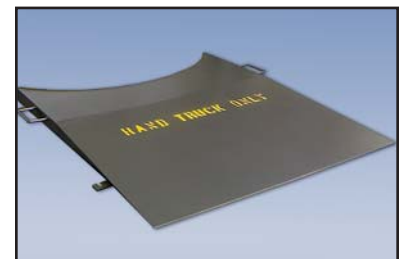
**low profile 4,000 lb. load capacity**



**"Swift Change" Film Mandrel**



**WRAP-N-WEIGH® Operator Controls**



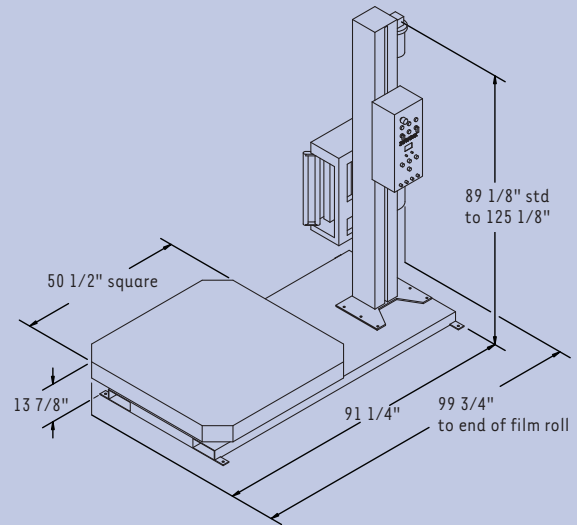
**Variety of Access Ramps**

## FEATURES

- Welded heavy-duty reinforced structural steel construction for around-the-clock operation
- Powder coat finish that provides a durable scratch resistant surface and prevents corrosion
- Forklift portable
- 4 point caster support for HP turntable
- 8 point - Delrin caster support for LP turntable
- Turntable direct drive: 1/2 HP, 90 VDC motor with ANSI 50 chain
- Allen-Bradley® Micrologix PLC
- Top over-wrap control feature (TOC)
- Cycle pause control
- Turntable jog control
- Carriage pause control (banding)
- Adjustable dual LED wrap counters (0-7)
- Corner compensation
- Anti-static rollers
- UL approved components
- External fuses
- Home position alignment at end of cycle
- Photo electric load height sensor that detects most dark colored loads
- EZ-LOAD Powered Pre-Stretch 150-300%, 200% Standard
- Variable carriage speed (0-21 FPM)
- Turntable speed of 0-12 RPM adjustable
- Carriage drive: 1/3 HP, 90 VDC motor with ANSI chain lift drive

## OPTIONS

- Extended film tower for wrapping taller loads exceeding standard machine capability
- TOP PLATEN device used to stabilize tall or light unstable loads during rotation
- A variety of access ramps to assist loading of pallet
- AFTD automatic film tear device tears film at the end of the wrapping cycle
- Split frame construction to increase film tower clearance for oversized loads
- Cycle counter to count the actual cycles of machine operation
- Extended umbilical cords for split frame models
- More options available, consult your local ARPACSTRETCH™ representative



## SPECIFICATIONS

### Power Requirements

- Electrical: 120VAC, 1Ph, 10A, 60Hz

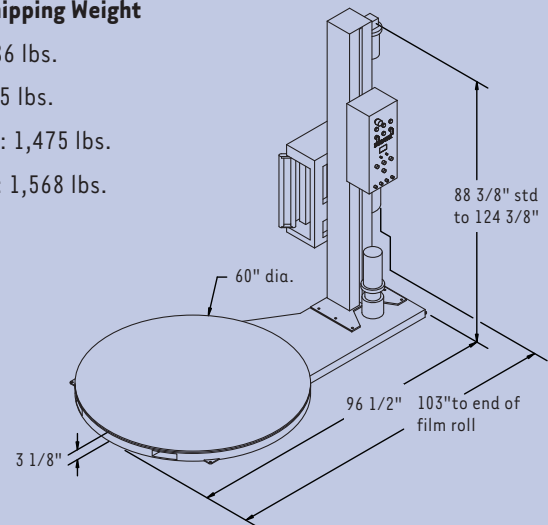
### Load and Turntable Sizes

Frame	Load Height	Max. Load Dia. Clearance	Standard Turntable	Oversized Turntable
HP	74"	85"	50"W x 50"L square	60"W x 60"L square
LP	83"	85"	60" diameter	72" diameter
HP WNW	72"	85"		
LP WNW	81"	85"		

Note: A split frame design will lose up to 3" in wrap height with a standard 8' umbilical cord between the tower and the base when turntable is placed at maximum distance from the tower.

### Approx. Shipping Weight

- HP: 1,386 lbs.
- LP: 1,485 lbs.
- HP WNW: 1,475 lbs.
- LP WNW: 1,568 lbs.



ARPAC L.P. 9511 West River Street | Schiller Park, IL 60176 USA | P 847 678 9034 | F 847 671 7006 | www.arpac.com

copyright ARPAC L.P. 2011