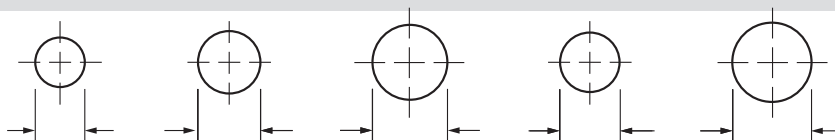

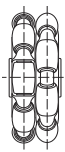

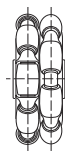

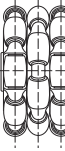




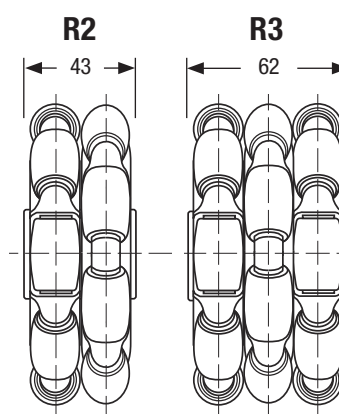
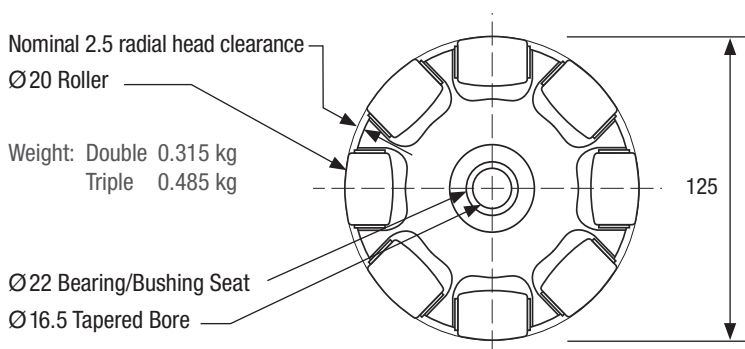
125mm Rotacasters

Bores (nominal)



Roller Type	Load Capacity Lateral / Dynamic	Bush/Bearing	ID Ø8	Ø10	Ø12	Ø9.52	Ø12.7
 85A Polyurethane Roller on Nylon bushing	 R2 68/115 Kg	R2-1258-85 No Bearing					
		Nylon	---	---	R2-1258-85/N12	---	R2-1258-85/N13
		Shielded	---	R2-1258-85/Z10	---	R2-1258-85/Z09	---
		Sealed	R2-1258-85/S08	R2-1258-85/S10	R2-1258-85/S12	---	R2-1258-85/S13
 95A Polyurethane Roller on Nylon bushing	 R2 68/125 Kg	R2-1258-95 No Bearing					
		Nylon	---	---	R2-1258-95/N12	---	R2-1258-95/N13
		Shielded	---	R2-1258-95/Z10	---	R2-1258-95/Z09	---
		Sealed	R2-1258-95/S08	R2-1258-95/S10	R2-1258-95/S12	---	R2-1258-95/S13
 95A Polyurethane Roller on Nylon bushing	 R3 80/160 Kg	R3-1258-95 No Bearing					
		Nylon	---	---	R3-1258-95/N12	---	R3-1258-95/N13
		Shielded	---	R3-1258-95/Z10	---	R3-1258-95/Z09	---
		Sealed	---	R3-1258-95/S10	R3-1258-95/S12	---	R3-1258-95/S13

Wheel Dimensions (in mm)



Conversion

Metric	Imperial
3.18 mm	1/8"
6.35 mm	1/4"
8.00 mm	5/16"
9.52 mm	3/8"
11.10 mm	7/16"
12.70 mm	1/2"
15.88 mm	5/8"
25.40 mm	1"
1 kg	2.2 lb

Lateral Load Capacity refers to the maximum load capacity of each wheel to travel directly sideways without radial head contact. ■ The **Dynamic Load Capacity** (while in motion) ranges between the maximum **Static Load Capacity** and the **Lateral Load Capacity** and varies proportionally to speed of the wheel travelling in its primary direction. ★ Single wheels are available upon request. ■ 12mm and 1/2" bush may require hub refit.



Distributor Rotacaster 1300 768 222







rotacaster.com.au

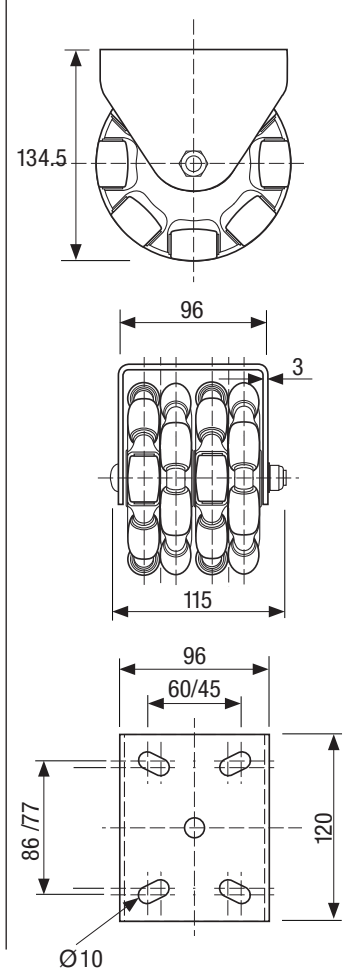
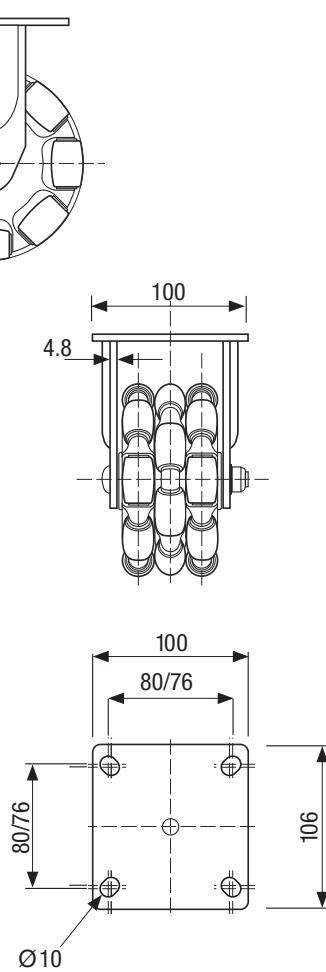
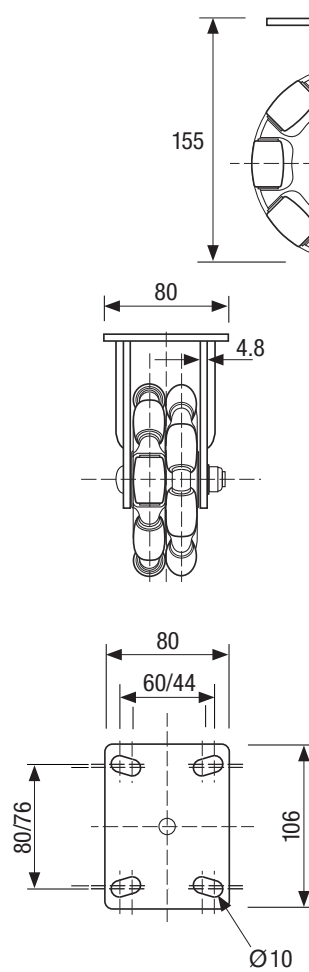
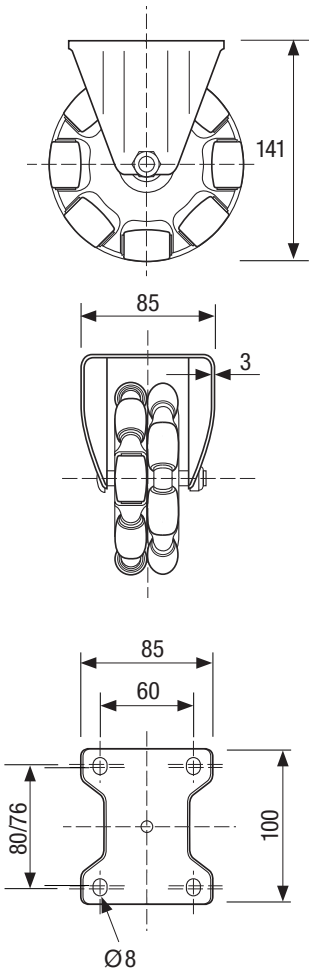
rotacaster[™]
the ultimate in manoeuvrability



125 mm Rotacaster Single Mounts

Steel Fork - Zinc Plated

	R2 Formed	R2 Welded	R3 Welded	R4 Formed
				
85A	R2-1258-85/MF	R2-1258-85/MW	---	R4-1258-85/MF
95A	R2-1258-95/MF	R2-1258-95/MW	R3-1258-95/MW	R4-1258-95/MF
Load Capacity Lateral/Dynamic	68/125 Kg	68/125 Kg	80/160 Kg	120/220 Kg



Distributor

Rotacaster

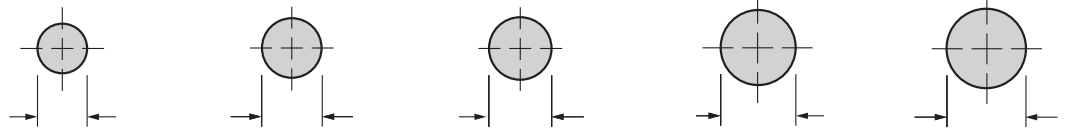
1300 768 222

rotacaster.com.au

rotacaster
the ultimate in manoeuvrability

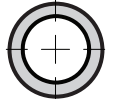
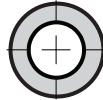


125mm Rotacaster Accessories



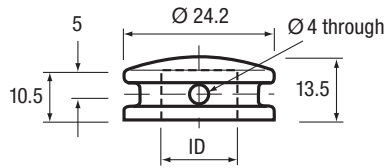
Bores	Ø8	Ø9.52	Ø10	Ø12	Ø12.7
-------	----	-------	-----	-----	-------

Nylon Bushings / Spacers	OD Ø12.7	Ø15.88	Ø15.88	Ø15.88
--------------------------	----------	--------	--------	--------



Length	ID Ø8	Ø10	Ø12	Ø12.7
25.2	13-9602-0813-025	13-9602-1016-025	13-9602-1216-025	13-9602-1316-025
50.4	13-9602-0813-050	13-9602-1016-050	13-9602-1216-050	13-9602-1316-050
75.6	---	13-9602-1016-075	13-9602-1216-075	13-9602-1316-075

Nylon Axle Caps	Ø12 ID	Ø12.7 ID
-----------------	--------	----------



	13-2022-12	13-2022-13
--	------------	------------

Floor Brakes



150mm Lift-Up Floor Lock
11-9002

Mounting height: 142mm
Load capacity: 200Kg



137mm Friction Lock
11-9003

Mounting height: 132mm
Load capacity: 770Kg



Distributor Rotacaster 1300 768 222

rotacaster.com.au

rotacaster
the ultimate in manoeuvrability