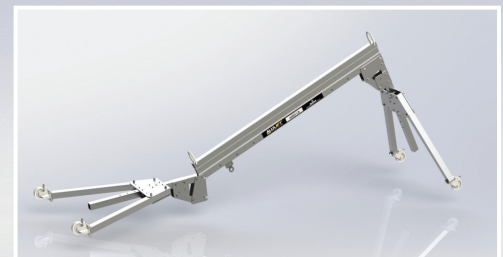
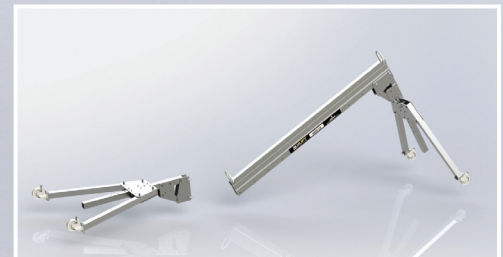
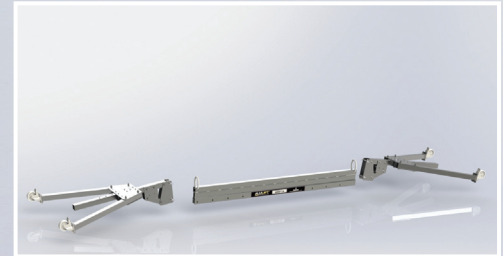




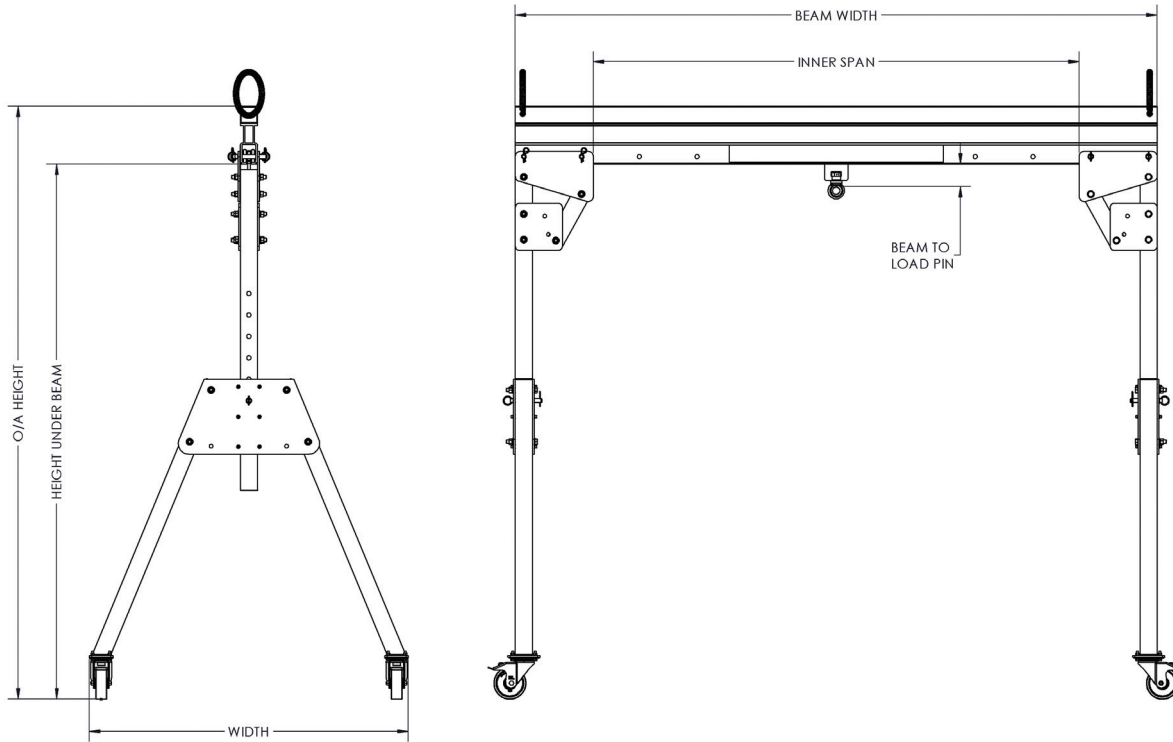
ALULIFT® Build Process



The NEW **ALULIFT**® Portable Aluminum Gantry Crane is designed to provide dependable, durable lifting solutions to many applications.

Manufactured from lightweight aluminum, it is erected in 5 easy steps and designed to breakdown into a compact transportable size making it an ideal tool for all site/installation personnel who require constant assembly and disassembly.

The range consists of over 40 models with heights up to 12', and maximum beam width ranging up to 16'.



PART NUMBER	CAPACITY (LBS)	BEAM WIDTH (FT)	INNER SPAN (FT)	WIDTH (FT)	HEIGHT UNDER BEAM RANGE (FT)		O/A HEIGHT RANGE (FT)		BEAM WIDTH (FT)
ALU-1000-8-6	1000	6.6	4.2	4.9	6.6	8.2	7.2	8.8	3.1
ALU-1000-8-8	1000	8.2	5.8	4.9	6.6	8.2	7.2	8.8	3.1
ALU-1000-8-10	1000	9.8	7.4	4.9	6.6	8.2	7.2	8.8	3.1
ALU-1000-8-12	1000	11.5	9.1	4.9	6.6	8.2	7.5	9.1	3.1
ALU-1000-8-14	1000	13.1	10.7	4.9	6.6	8.2	7.5	9.1	3.1
ALU-1000-8-16	1000	14.8	12.4	4.9	6.6	8.2	7.5	9.1	3.1
ALU-1000-8-18	1000	16.4	14.0	4.9	6.6	8.2	7.5	9.1	3.1
ALU-1000-10-6	1000	6.6	4.2	4.9	8.2	9.8	8.8	10.5	3.1
ALU-1000-10-8	1000	8.2	5.8	4.9	8.2	9.8	8.8	10.5	3.1
ALU-1000-10-10	1000	9.8	7.4	4.9	8.2	9.8	8.8	10.5	3.1
ALU-1000-10-12	1000	11.5	9.1	4.9	8.2	9.8	9.1	10.7	3.1
ALU-1000-10-14	1000	13.1	10.7	4.9	8.2	9.8	9.1	10.7	3.1
ALU-1000-10-16	1000	14.8	12.4	4.9	8.2	9.8	9.1	10.7	3.1
ALU-1000-10-18	1000	16.4	14.0	4.9	8.2	9.8	9.1	10.7	3.1
ALU-1000-12-6	1000	6.6	4.2	4.9	9.8	11.5	10.5	12.1	3.1
ALU-1000-12-8	1000	8.2	5.8	4.9	9.8	11.5	10.5	12.1	3.1
ALU-1000-12-10	1000	9.8	7.4	4.9	9.8	11.5	10.5	12.1	3.1
ALU-1000-12-12	1000	11.5	9.1	4.9	9.8	11.5	10.7	12.4	3.1
ALU-1000-12-14	1000	13.1	10.7	4.9	9.8	11.5	10.7	12.4	3.1
ALU-1000-12-16	1000	14.8	12.4	4.9	9.8	11.5	10.7	12.4	3.1
ALU-1000-12-18	1000	16.4	14.0	4.9	9.8	11.5	10.7	12.4	3.1
ALU-2000-8-6	2000	6.6	4.2	4.9	6.6	8.2	7.2	8.8	3.1
ALU-2000-8-8	2000	8.2	5.8	4.9	6.6	8.2	7.5	9.1	3.1
ALU-2000-8-10	2000	9.8	7.4	4.9	6.6	8.2	7.5	9.1	3.1
ALU-2000-8-12	2000	11.5	9.1	4.9	6.6	8.2	7.5	9.1	3.1
ALU-2000-8-14	2000	13.1	10.7	4.9	6.6	8.2	7.5	9.1	3.1
ALU-2000-10-6	2000	6.6	4.2	4.9	8.2	9.8	8.8	10.5	3.1
ALU-2000-10-8	2000	8.2	5.8	4.9	8.2	9.8	9.1	10.7	3.1
ALU-2000-10-10	2000	9.8	7.4	4.9	8.2	9.8	9.1	10.7	3.1
ALU-2000-10-12	2000	11.5	9.1	4.9	8.2	9.8	9.1	10.7	3.1
ALU-2000-10-14	2000	13.1	10.7	4.9	8.2	9.8	9.1	10.7	3.1
ALU-2000-12-6	2000	6.6	4.2	4.9	9.8	11.5	10.5	12.1	3.1
ALU-2000-12-8	2000	8.2	5.8	4.9	9.8	11.5	10.7	12.4	3.1
ALU-2000-12-10	2000	9.8	7.4	4.9	9.8	11.5	10.7	12.4	3.1
ALU-2000-12-12	2000	11.5	9.1	4.9	9.8	11.5	10.7	12.4	3.1
ALU-2000-12-14	2000	13.1	10.7	4.9	9.8	11.5	10.7	12.4	3.1
ALU-4000-8-6	4000	6.6	4.2	4.9	6.6	8.2	7.5	9.1	4.2
ALU-4000-8-8	4000	8.2	5.8	4.9	6.6	8.2	7.5	9.1	4.2
ALU-4000-8-10	4000	9.8	7.4	4.9	6.6	8.2	7.5	9.1	4.2
ALU-4000-10-6	4000	6.6	4.2	4.9	8.2	9.8	9.1	10.7	4.2
ALU-4000-10-8	4000	8.2	5.8	4.9	8.2	9.8	9.1	10.7	4.2
ALU-4000-10-14	4000	9.8	7.4	4.9	8.2	9.8	9.1	10.7	4.2
ALU-4000-12-6	4000	6.6	4.2	4.9	9.8	11.5	10.7	12.4	4.2
ALU-4000-12-8	4000	8.2	5.8	4.9	9.8	11.5	10.7	12.4	4.2
ALU-4000-12-10	4000	9.8	7.4	4.9	9.8	11.5	10.7	12.4	4.2