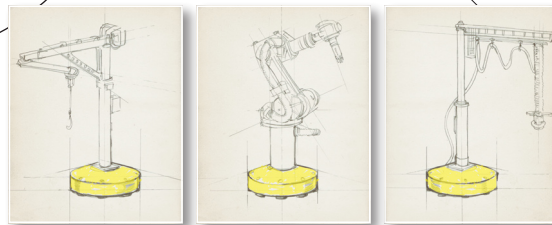
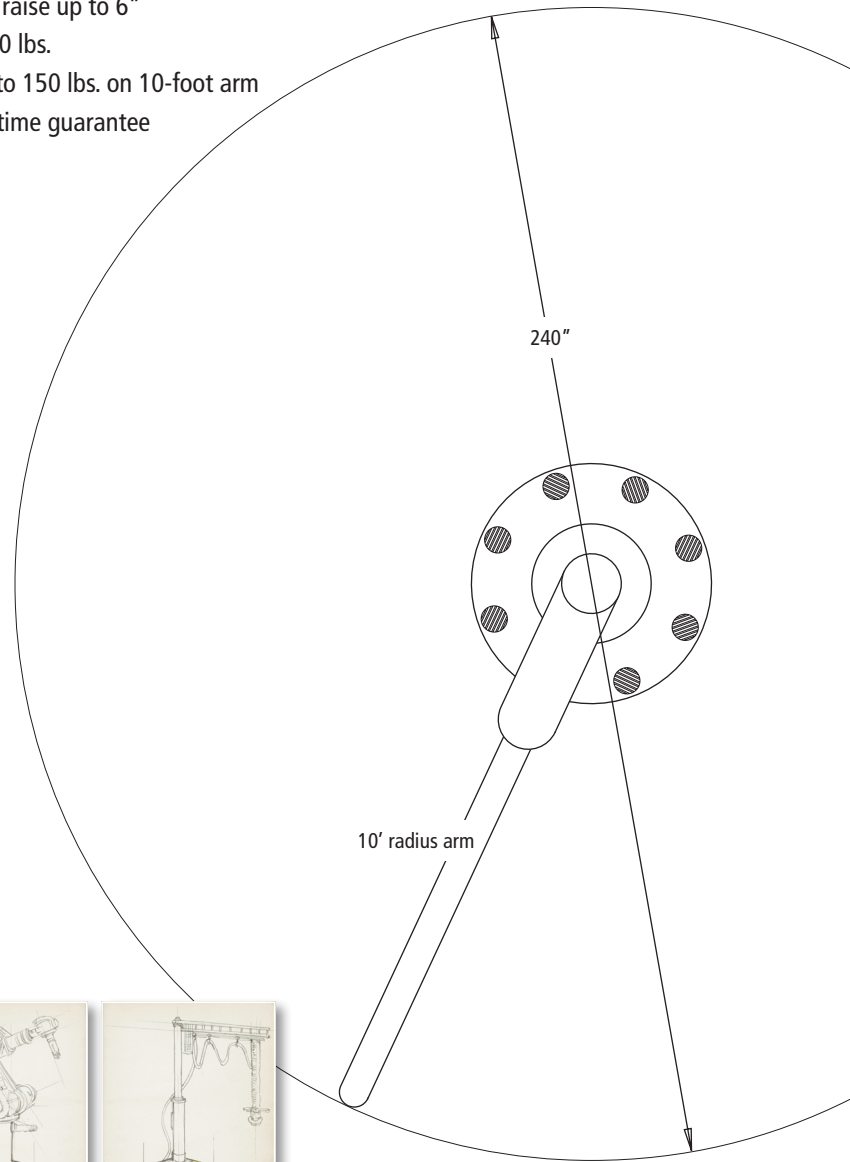
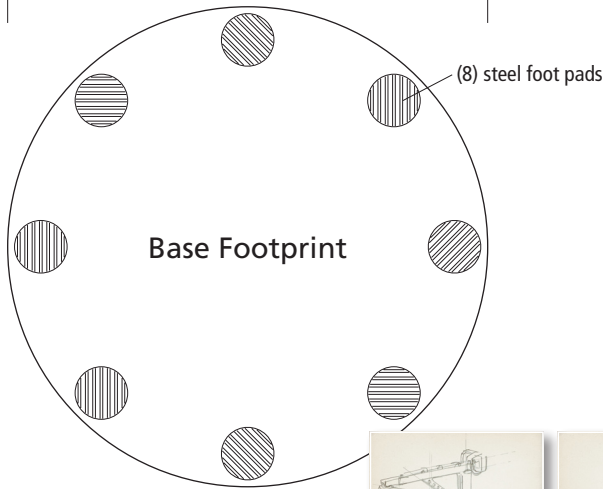
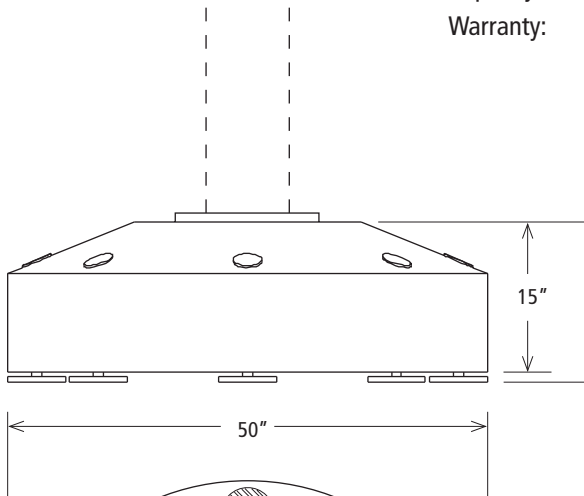




**BigFoot DETAILS**

Composition: Cast polymer concrete  
 Leveling: 8 heavy-duty jacks; articulating; can raise up to 6"  
 Weight: 2000 lbs.  
 Capacity: Up to 150 lbs. on 10-foot arm  
 Warranty: Lifetime guarantee



**BigFoot**

**PORTABLE BASE**

Pairing OEM components with BigFoot frees them up for new applications and configurations.

**OVERVIEW**

BigFoot's stable design safely anchors cranes, vacuum lifters, or robotics. It is easily moved with a pallet jack or forklift.

BigFoot is topped by a standard mounting interface and supported by eight heavy-duty articulating leveling jacks. Low to the ground, it is beveled, ergonomically rounded and made of safety-yellow durable polymer concrete to last a lifetime.

**SPECS**

- Weight of pedestal (base): 2000 lbs.
- Dimensions: 50" diameter
- Material used: cast polymer concrete
- Available capacity: up to 150 lbs. on a 10' arm
- Top mounting holes are manufactured with 3/4" stainless steel ferrule inserts

**HARDWARE INCLUDED**

- (8) Solid steel swiveling jacks 5.75" high
- (8) 16 gauge galvanized metal straps
- (8) 1/4 x 1 1/4" HWH Tapcon Anchors (screws)
- (4) 3/4 - 10x2 hex cap grade 8 screws
- (4) 3/4" USS grade 8 flat washers
- (1) 3/4" Ranger cord connector
- (1) 1 1/4" to 3/4" Reducing bushing
- (1) Hex bit socket, 1/2" drive, 5/8"
- (8) 60 gauge black top plug