

Precautionary Label Brochure for Dock Levelers



LODEM

LOADING DOCK EQUIPMENT MANUFACTURERS

An Industry Group of MHI



FOREWORD

Foreword

This publication, which was developed by the Loading Dock Equipment Manufacturer Industry Group (“LODEM”) of the Material Handling Industry (“MHI”), is intended to provide useful information and guidance for owners, users, designers, purchasers and/or specifiers of loading dock levelers. It is advisory only and should only be regarded as a simple tool that its intended audience may or may not choose to follow, adopt, modify, or reject. The following information does not constitute a comprehensive purchasing or safety program, cannot guard against pitfalls in operating, selecting and purchasing such a system, and should not be relied upon as such. Such a program should be developed, and an independent adviser should be consulted in doing so.

Voluntary

The use of this document is completely voluntary. Its existence does not in any respect preclude anyone, whether it has approved the brochure or not, from following procedures and assuming responsibilities not conforming to this brochure.

Contents

Foreword	2	Application Instructions.....	4
Disclaimer.....	2	Safety Signal Words	5
Introduction.....	3	Precautionary Label Placement Guidelines.....	6

For Questions Contact:

LODEM of the Material Handling Industry
8720 Red Oak Boulevard, Suite 201
Charlotte, NC 28217-3992
Telephone: (704) 676-1190
www.mhi.org/LODEM

Disclaimer

DISCLAIMER OF LIABILITY. LODEM and MHI assume no responsibility and disclaim all liability of any kind, however arising, as a result of acceptance or use or alleged use of this brochure. Anyone using this document specifically understands and agrees that LODEM, MHI, their members, officers, agents, and employees shall not be liable under any legal theory of any kind for any action or failure to act with respect to the proper selection, purchase, placement, application or use of Dock Seals and Shelters or any other activity covered by this brochure.

DISCLAIMER OF WARRANTY. MHI, LODEM and their members make **NO WARRANTIES of any kind, express or implied, in connection with the information in this brochure and SPECIFICALLY DISCLAIM ALL IMPLIED WARRANTIES OF MERCHANTABILITY AND OF FITNESS FOR PARTICULAR PURPOSE.**

INDEMNIFICATION. By referring to or otherwise employing this brochure, its user agrees to defend, protect, indemnify, and hold LODEM, MHI, their members, officers, agents, and employees harmless from and against all claims, losses, expenses, damages, and liabilities, direct, incidental, or consequential, arising from acceptance or use or alleged use of this brochure, including loss of profits and reasonable attorneys' fees which may arise out of the acceptance or use or alleged use of this document. The intent of this provision is to absolve and protect LODEM, MHI, their members, officers, agents, and employees from any and all loss relating in any way to this document, including those resulting from the user's own negligence.

Safety is a prime consideration in the design, manufacture, installation, use and maintenance of loading dock levelers. It is well-recognized that in many instances, precautionary labels can increase operator and maintenance personnel awareness of hazards that may be involved in loading dock levelers. Installation, operation and maintenance of dock levelers should be performed by trained personnel only.

The purpose of this publication is to provide voluntary guidelines for the selection and application of precautionary labels. As part of the owner's comprehensive safety program, dock levelers should be periodically inspected and precautionary labels reviewed to ensure their integrity and to maximize their effectiveness in avoiding accidents.

Relation to America National Standards

This brochure refers to the following ANSI standards:

ANSI Z535.1-2006 (R2011): Safety color code

ANSI Z535.2-2011: Environmental and facility safety signs

ANSI Z535.3-2011: Criteria for safety symbols

ANSI Z535.4-2011: Product safety signs and labels

ANSI Z535.5-2011: Accident prevention tags

ANSI Z535.6-2011: Product safety information in product manuals, instructions and other collateral materials

ANSI MH30.1-2007: Safety performance and testing of dock leveling devices

For copies of ANSI Z535 Series of Standards:

National Electrical Manufacturers Association

1300 North 17th Street
Rosslyn, Virginia 22209
Telephone: (703) 841-3200
FAX: (703) 841-5900
www.nema.org/stds/

For copies of ANSI MH30 Series of Standards:

Loading Dock Equipment Manufacturers Industry Group of MHI

8720 Red Oak Boulevard, Suite 201
Charlotte, NC 28217-3992
Telephone: (704) 676-1190
FAX: (704) 676-1199
www.mhi.org/publications

APPLICATION INSTRUCTIONS

Proper procedures should be used in applying labels to equipment.

Sizes of labels that are referenced are exemplary. Actual sizes may vary from manufacturer to manufacturer and may be affected by mounting areas or design constraints.

NOTE: Use labels provided by your OEM (original equipment manufacturer).

1. Ensure that the surface to which labels will be applied is free of dirt, dust, grease and moisture.
2. Place all new labels in the same positions as the labels being replaced. Refer to OEM manuals for proper location.
3. If the surface is freshly painted, ensure that the paint is dry.
4. Press the label firmly after applying it to the surface. One or more passes over the label with a sponge or rubber roller will ensure that the adhesive is in good contact with the surface.



LOADING DOCK EQUIPMENT MANUFACTURERS

PRECAUTIONARY SIGNALS

Loading Dock Equipment Manufacturers Precautionary Labels

The following labels were developed for LODEM to conform to ANSI Z535. Labels may contain safety alert symbols and signal words. To aid in understanding such symbols and signal words, the following has been excerpted from ANSI Z535.4:

Safety Alert Symbols

A symbol which indicates a potential personal injury hazard. It is composed of an equilateral triangle surrounding an exclamation mark. The safety alert symbol shall not be used to alert persons to property-damage-only accidents.



for use with DANGER signal word



for use with WARNING signal word



for use with CAUTION signal word

Signal Words

The meaning of different signal words as defined by ANSI Z535.6 and Z535.4 standards may be provided in collateral materials. The following artwork may be used for this purpose.

DANGER

Indicates an imminently hazardous situation which, if not avoided, will result in death or serious injury. (Color per Industry Standard ANSI SAFETY RED Pantone 485)

CAUTION

Indicates a potentially hazardous situation which, if not avoided may result in minor or moderate injury. (Color per Industry Standard ANSI SAFETY YELLOW Pantone 109)

WARNING

Indicates a potentially hazardous situation which, if not avoided, could result in death or serious injury. (Color per Industry Standard ANSI SAFETY ORANGE Pantone 152)

NOTICE

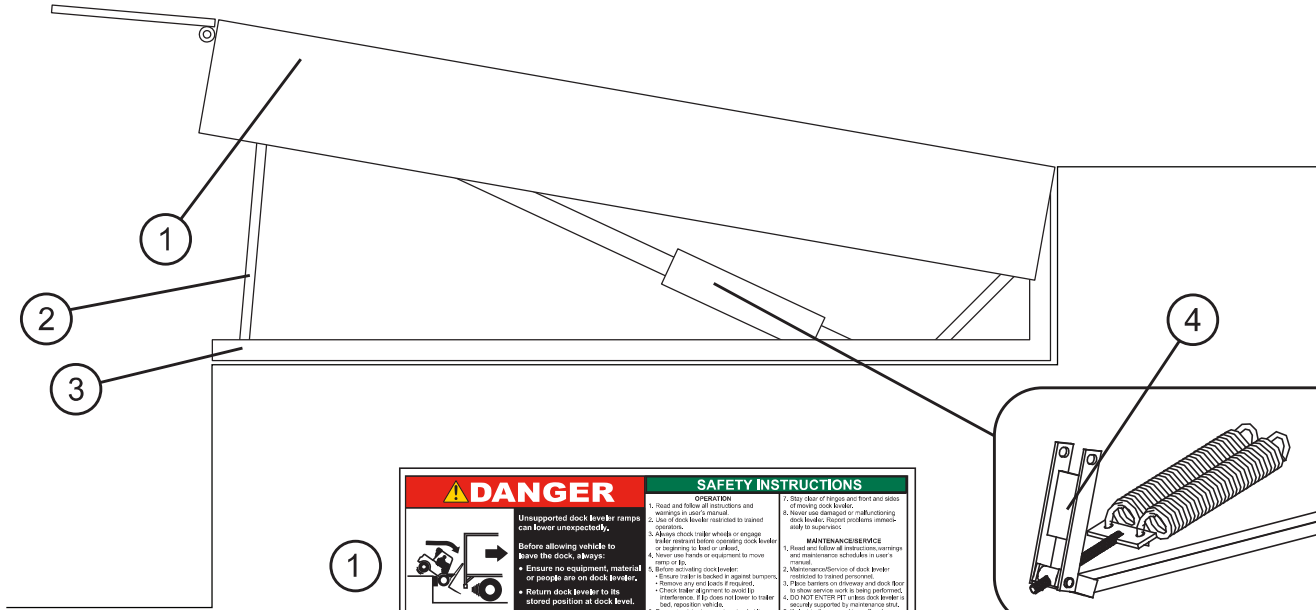
Notice is used to address practices not related to personal injury. (Color per Industry Standard ANSI SAFETY BLUE Pantone 2945)

SAFETY INSTRUCTIONS

Safety Instructions (or equivalent) signs indicate specific safety-related instructions or procedures. (Color per Industry Standard ANSI SAFETY GREEN Pantone 3415)

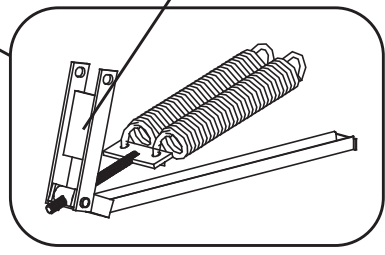
PRECAUTIONARY LABEL PLACEMENT GUIDELINES

For horizontal storing dock levelers



1

⚠ DANGER	<p>Unsupported dock leveler ramps can lower unexpectedly.</p> <p>Before allowing vehicle to leave the dock, always:</p> <ul style="list-style-type: none"> • Ensure no equipment, material or people are on dock leveler. • Return dock leveler to the stored position at dock level. <p><small>Failure to follow posted instructions will result in death or serious injury.</small></p>
<p style="text-align: center;">SAFETY INSTRUCTIONS</p> <p>OPERATION</p> <ol style="list-style-type: none"> 1. Read and follow all instructions and warnings in user's manual. 2. Use of dock leveler requires to avoid overloading. 3. Always check trailer wheels or engage trailer release before operating dock leveler or beginning to level or unlevel. 4. Before using leveling dock leveler, ensure that leveling equipment is in proper range of lift. 5. Before using leveling dock leveler: <ul style="list-style-type: none"> • Check that it is locked in desired position. • Remove any wet loads if required. • Check trailer alignment to avoid tire interference. If it does not bear to trailer load, report to vendor. 6. Ensure track bed supports extend to or beyond frame supports area before driving on ramp. <p><small>Call _____ for replacement details, warning labels, or owner's/user's manual.</small></p>	
<p>MAINTENANCE/SERVICE</p> <ol style="list-style-type: none"> 1. Read and follow all instructions, warnings and maintenance instructions in user's manual. 2. Maintenance/Service of dock leveler restricted to trained personnel. 3. Place barriers on driveway and dock floor to indicate service work is being performed. 4. DO NOT ENTER PIT or base dock leveler's support area. 5. If difficulty encountered, turn off and use OSHA approved procedures. 	



(Mechanical models only)

2

⚠ DANGER	<p>CRUSH HAZARD</p> <p>Do not work under dock leveler unless this maintenance prop has been secured in the upright position. Failure to comply will result in death or serious injury. See owner's/user's manual for proper procedures.</p>
-----------------	--

3

⚠ DANGER	<p>CRUSH HAZARD</p> <p>DO NOT ENTER PIT unless dock leveler is securely supported by maintenance prop. Place barriers on driveway and dock floor to indicate service work being performed. Failure to comply will result in death or serious injury. Refer to owner's/user's manual for proper maintenance procedures.</p>
-----------------	---

4

⚠ DANGER	<p>CRUSH HAZARD</p> <p>Do not remove main springs until leveler is securely supported by suitable lifting device. Main springs contain stored energy. Be sure springs are fully unloaded and ends are loose before removal. Failure to comply will result in death or serious injury. Refer to owner's/user's manual for proper maintenance procedures.</p>
-----------------	--

(Mechanical models only)

5

⚠ DANGER	OPERATING INSTRUCTIONS

See page 13.

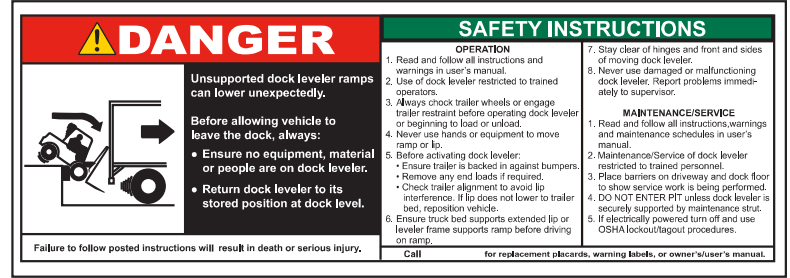
PRECAUTIONARY LABEL PLACEMENT GUIDELINES

1.

Size: 9-1/8" wide x 3-1/4" tall

Purpose

This label is specified as part of the labeling recommendation. It should be applied to each side fixed working range toe guard. It is intended to warn operating personnel using the dock leveler and service personnel maintaining the dock leveler of possible bodily hazards.



2.

Size: 8" wide x 1" tall

Purpose

This label is part of the labeling recommendation. It should be applied to the maintenance support. It is intended to warn operating personnel using the dock leveler and service personnel maintaining the dock leveler to securely support the dock leveler with the maintenance support before work is done under the dock leveler.

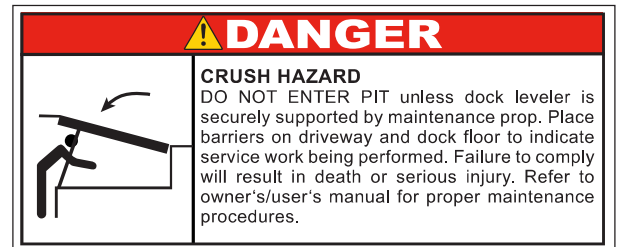


3.

Size: 5-7/8" wide x 2-7/16" tall

Purpose

This label is part of the labeling recommendation. It should be applied to the dock leveler sub-frame near the driveway end. It is intended to warn operating personnel using the dock leveler and service personnel maintaining the leveler to securely support the dock leveler with the maintenance support and to place barriers on the drive surface and dock floor before working on or under the dock leveler.

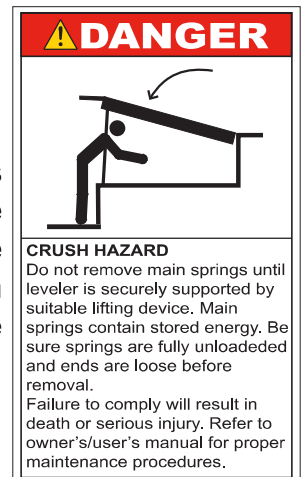


4.

Size: 2-1/2" wide x 4" tall

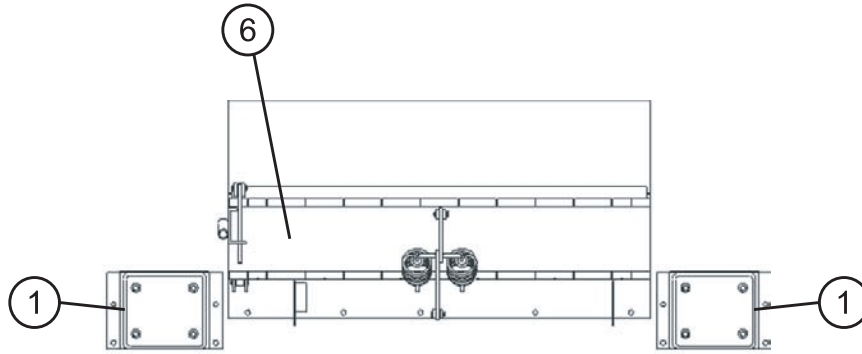
Purpose

This additional label is part of the labeling recommendation for mechanical dock levelers only. It should be applied on or near the counterbalance mechanism visible from the driveway. It is intended to warn operating personnel using the dock leveler and service personnel maintaining the leveler to securely support the dock leveler before working on or under the dock leveler, before working on the counterbalance system and about the possible hazard of energy being stored in the main springs.



PRECAUTIONARY LABEL PLACEMENT GUIDELINES

For Edge-of-Dock levelers (EOD)



1

⚠ DANGER							
<p>Unsupported dock leveler ramps can lower unexpectedly.</p> <p>Before allowing vehicle to leave the dock, always:</p> <ul style="list-style-type: none"> • Ensure no equipment, material or people are on dock leveler. • Return dock leveler to its stored position at dock level. <p><small>Failure to follow posted instructions will result in death or serious injury.</small></p>	<table border="1"> <thead> <tr> <th colspan="2" style="background-color: green; color: white; text-align: center;">SAFETY INSTRUCTIONS</th> </tr> </thead> <tbody> <tr> <td style="font-size: small;"> OPERATION 1. Read and follow all instructions and warnings in user's manual. 2. Use all dock leveler-recommended rated capacities. 3. Always chock trailer wheels or engage trailer restraint before operating dock leveler or attempting to load or unload. 4. Never use hands or equipment to move ramp or deck. 5. Before adjusting dock leveler: • Ensure trailer is locked in against bumper. • Remove any and block if required. • Check trailer alignment to avoid tip-over/rollover. If it does not have tie-down, reposition vehicle. 6. Ensure brake hold supports extended if or trailer frame supports retracted before driving away. </td> <td style="font-size: small;"> MAINTENANCE/SERVICE 1. Read and follow all instructions, warnings and maintenance schedules in user's manual. 2. Maintenance/service of dock leveler restricted to trained personnel. 3. Place warning on entrance and dock door to show service work is being performed. 4. DO NOT CUT OFF PNEUMATIC AIR SUPPLY, if electrically powered turn off and use OSHA lockout/tagout procedure. </td> </tr> <tr> <td colspan="2" style="font-size: x-small; text-align: center;"> Call for replacement of struts, warning labels, or owner's manual. </td> </tr> </tbody> </table>	SAFETY INSTRUCTIONS		OPERATION 1. Read and follow all instructions and warnings in user's manual. 2. Use all dock leveler-recommended rated capacities. 3. Always chock trailer wheels or engage trailer restraint before operating dock leveler or attempting to load or unload. 4. Never use hands or equipment to move ramp or deck. 5. Before adjusting dock leveler: • Ensure trailer is locked in against bumper. • Remove any and block if required. • Check trailer alignment to avoid tip-over/rollover. If it does not have tie-down, reposition vehicle. 6. Ensure brake hold supports extended if or trailer frame supports retracted before driving away.	MAINTENANCE/SERVICE 1. Read and follow all instructions, warnings and maintenance schedules in user's manual. 2. Maintenance/service of dock leveler restricted to trained personnel. 3. Place warning on entrance and dock door to show service work is being performed. 4. DO NOT CUT OFF PNEUMATIC AIR SUPPLY, if electrically powered turn off and use OSHA lockout/tagout procedure.	Call for replacement of struts, warning labels, or owner's manual.	
SAFETY INSTRUCTIONS							
OPERATION 1. Read and follow all instructions and warnings in user's manual. 2. Use all dock leveler-recommended rated capacities. 3. Always chock trailer wheels or engage trailer restraint before operating dock leveler or attempting to load or unload. 4. Never use hands or equipment to move ramp or deck. 5. Before adjusting dock leveler: • Ensure trailer is locked in against bumper. • Remove any and block if required. • Check trailer alignment to avoid tip-over/rollover. If it does not have tie-down, reposition vehicle. 6. Ensure brake hold supports extended if or trailer frame supports retracted before driving away.	MAINTENANCE/SERVICE 1. Read and follow all instructions, warnings and maintenance schedules in user's manual. 2. Maintenance/service of dock leveler restricted to trained personnel. 3. Place warning on entrance and dock door to show service work is being performed. 4. DO NOT CUT OFF PNEUMATIC AIR SUPPLY, if electrically powered turn off and use OSHA lockout/tagout procedure.						
Call for replacement of struts, warning labels, or owner's manual.							

6

⚠ DANGER	
<p>Ramp swings toward you. Stand Clear. Use maintenance strut while servicing. Failure to do so will result in death or serious injury.</p> <p><small>Refer to owner's manual for proper procedure.</small></p>	

5

⚠ DANGER	OPERATING INSTRUCTIONS

See page 13.

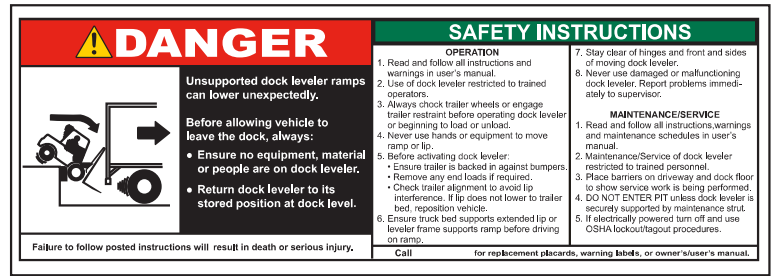
PRECAUTIONARY LABEL PLACEMENT GUIDELINES

1.

Size: 9-1/8" wide x 3-1/4" tall

Purpose

This label is part of the labeling recommendation for EOD levelers. It should be applied to one side of each bumper block. It is intended to warn operating personnel using the dock leveler and service personnel maintaining the dock leveler of possible bodily hazards.



6.

Size: 4-5/16" wide x 7-1/4" tall.

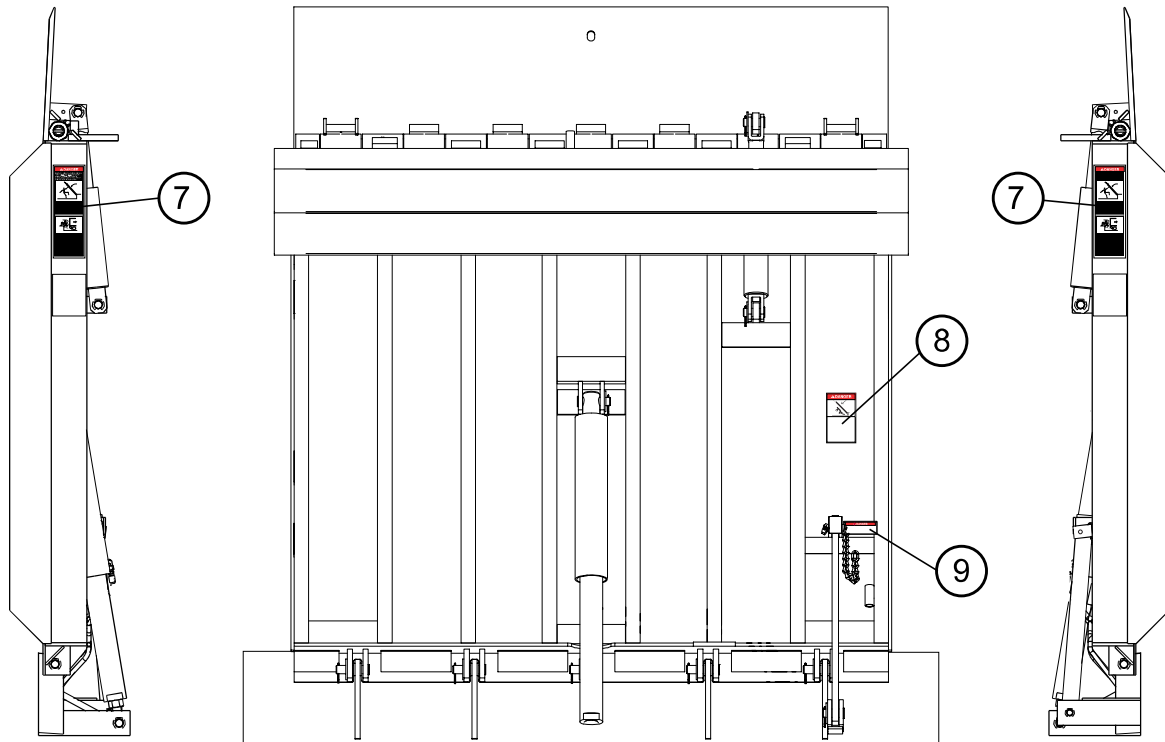
Purpose

This label is part of the labeling recommendation. It should be applied to the EOD leveler underneath the ramp. It is intended to warn personnel in front of or under the dock leveler (including service personnel maintaining the dock leveler) of possible bodily hazards.



PRECAUTIONARY LABEL PLACEMENT GUIDELINES

For vertical storing dock levelers



7

8

9

⚠ DANGER

CRUSH HAZARD

DO NOT WALK IN FRONT OF DOCK LEVELER until you:

- Restore the dock leveler to its safe stored vertical position with lip extended.

Unupported dock levelers can lower unexpectedly.

Before allowing vehicles to leave the dock, always:

- Ensure that no equipment, material or people are on dock leveler.
- Restore dock leveler to its safe stored vertical position with lip extended.

SAFETY INSTRUCTIONS

OPERATION

- Read and follow all instructions, warnings and cautions in owner's user's manual.
- Use of dock leveler restricted to trained operators.
- Always check trailer wheels or engage trailer restraint before operating dock leveler or beginning to load or unload.
- Never use hands or equipment to move ramp or lip.
- Before activating dock leveler:
 - Ensure trailer is backed in against bumpers.
 - Remove any end loads if required.
 - Check trailer alignment to avoid lip interference. If lip does not lower to trailer bed, reposition vehicle.
 - Ensure truck bed supports extended lip or leveler frame supports ramp before driving on ramp.
 - Stay clear of hinges and front and sides of moving dock leveler.
- Never use damaged or malfunctioning dock leveler. Report problems immediately to supervisor.

MAINTENANCE/SERVICE

- Read and follow all instructions, warnings and cautions in owner's user's manual.
- Maintenance/Service of dock leveler restricted to trained personnel.
- Place barriers on the driveway and dock floor to show service work is being performed.
- DO NOT SERVICE LEVELER** unless dock leveler is securely supported by maintenance lock-out pin.
- Turn off power and use OSHA-locks/tagout procedures.

Failure to follow posted instructions will result in death or serious injury.

⚠ DANGER

CRUSH HAZARD

Before doing any maintenance, repair, or adjustments on the dock leveler, store the leveler in a vertical position with lip extended, and engage the lock-out pin in the maintenance strut.

Do not remove the lock-out pin from the maintenance strut until you are sure the hydraulic system is in proper working condition. Do not stand in front of the dock leveler while removing the lock-out pin. Reach from the side of the leveler.

Do not force the lock-out pin out of the maintenance strut. If the pin does not slide freely, support the leveler securely using other means and determine the cause of the interference.

Failure to follow these instructions will result in death or serious injury.

Refer to owner's/user's manual for proper procedures

⚠ DANGER

Do not remove the lock-out pin from the maintenance post unless authorized personnel have confirmed that the hydraulic cylinders, valve and hoses have been properly installed and filled with fluid. Failure to do so will result in death or serious injury. Refer to owner's/user's manual for proper procedures

5

⚠ DANGER	OPERATING INSTRUCTIONS

See page 13.

PRECAUTIONARY LABEL PLACEMENT GUIDELINES


7.

Size: 3-3/4" x 14"

Purpose

This label is part of the labeling recommendation for vertically storing dock levelers. It should be applied to each side of the dock leveler. It is intended to warn operating personnel using the dock leveler and service personnel maintaining the dock leveler of possible bodily hazards.

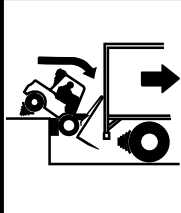
⚠ DANGER



CRUSH HAZARD

DO NOT WALK IN FRONT OF DOCK LEVELER until you:

- Restore the dock leveler to its safe stored vertical position with lip extended.



Unsupported dock levelers can lower unexpectedly.

Before allowing vehicle to leave the dock, always:

- Ensure that no equipment, material or people are on dock leveler.

• Restore dock leveler to its safe stored vertical position with lip extended.

SAFETY INSTRUCTIONS

OPERATION

1. Read and follow all instructions and warnings in owner's/user's manual.
2. Use of dock leveler restricted to trained operators.
3. Always chock trailer wheels or engage trailer restraint before operating dock leveler or beginning to load or unload.
4. Never use hands or equipment to move ramp or lip.
5. Before activating dock leveler:
 - Ensure trailer is backed in against bumpers.
 - Remove any end loads if required.
 - Check trailer alignment to avoid lip interference. If lip does not lower to trailer bed, reposition vehicle.
6. Ensure truck bed supports extended lip or leveler frame supports ramp before driving on ramp.
7. Stay clear of hinges and front and sides of moving dock leveler.
8. Never use damaged or malfunctioning dock leveler. Report problems immediately to supervisor.

MAINTENANCE/SERVICE

1. Read and follow all instructions, warnings and maintenance schedules in owner's/user's manual.
2. Maintenance/Service of dock leveler restricted to trained personnel.
3. Place barriers on the driveway and dock floor to show service work is being performed.
4. **DO NOT SERVICE LEVELER unless dock leveler is securely supported by maintenance lock-out pin.**
5. Turn off power and use OSHA lockout/tagout procedures.

Failure to follow posted instructions will result in death or serious injury.

June 2017

Precautionary Label Brochure for Dock Levelers

11

PRECAUTIONARY LABEL PLACEMENT GUIDELINES

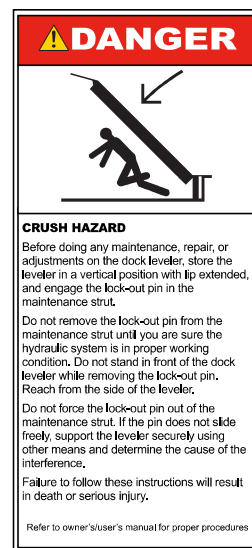
For vertical storing dock levelers (continued)

8.

Size: 4" x 6-3/4"

Purpose

This label is part of the labeling recommendation for vertical storing dock levelers. It should be applied to the under surface of the leveler deck near the maintenance lock-out pin. It is intended to warn service personnel maintaining the dock leveler of bodily hazards associated with maintenance, repair or adjustment of the dock leveler without the maintenance lock-out pin securely in position.

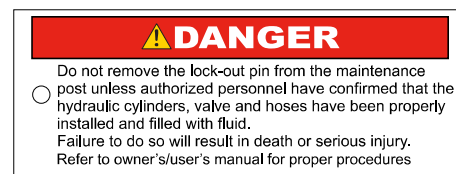


9.

Size: 1-1/2" x 4"

Purpose

This label is part of the labeling recommendation for vertical storing dock levelers. It should be applied to the maintenance lock-out pin or to a chain or cable that tethers the pin to the dock leveler. It is intended to warn operating and service personnel of bodily hazards associated with removal of the maintenance lock-out pin without hydraulic support that is properly filled, connected and functioning.




PRECAUTIONARY LABEL PLACEMENT GUIDELINES

5.

Size: 8-1/2" x 11"

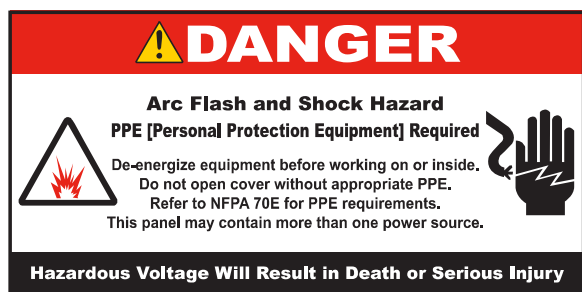
Purpose

This placard should be located in plain sight on a wall surface adjacent to each leveler location. It is intended to warn personnel of potential hazards and to provide operating instructions for the leveler.

 DANGER	OPERATING INSTRUCTIONS														
<div data-bbox="180 800 456 1016" style="border: 1px solid black; height: 100px; width: 170px;"></div> <hr data-bbox="191 1499 769 1503"/>	<table border="1"><tbody><tr><td data-bbox="824 800 1045 905" style="width: 136px; height: 50px;"></td><td data-bbox="1052 800 1440 905"></td></tr><tr><td data-bbox="824 913 1045 1018" style="width: 136px; height: 50px;"></td><td data-bbox="1052 913 1440 1018"></td></tr><tr><td data-bbox="824 1026 1045 1131" style="width: 136px; height: 50px;"></td><td data-bbox="1052 1026 1440 1131"></td></tr><tr><td data-bbox="824 1140 1045 1245" style="width: 136px; height: 50px;"></td><td data-bbox="1052 1140 1440 1245"></td></tr><tr><td data-bbox="824 1253 1045 1358" style="width: 136px; height: 50px;"></td><td data-bbox="1052 1253 1440 1358"></td></tr><tr><td data-bbox="824 1367 1045 1472" style="width: 136px; height: 50px;"></td><td data-bbox="1052 1367 1440 1472"></td></tr><tr><td data-bbox="824 1480 1045 1585" style="width: 136px; height: 50px;"></td><td data-bbox="1052 1480 1440 1585"></td></tr></tbody></table>														

PRECAUTIONARY LABEL PLACEMENT GUIDELINES

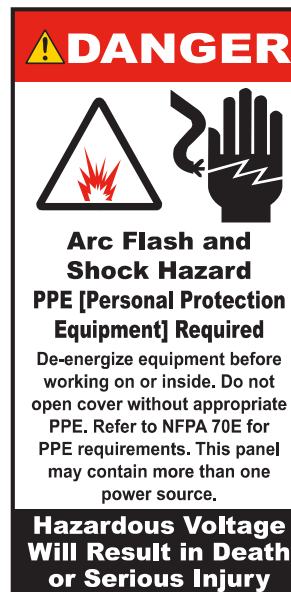
For all powered levelers



Label: 10 (3" wide x 1-1/2" tall)

OR

Label: 11 (6" wide x 3" tall)



Label: 12 (1-1/2" wide x 3" tall)

OR

Label: 13 (3" wide x 6" tall)

Purpose

This label is recommended for all powered dock levelers where space permits. It should be applied on the outside surface of all electrical enclosures which contain contact devices (i.e., motor starters, controllers, disconnects, relays, etc.). The size and shape of the panel should dictate which of the labels is appropriate. It is intended to warn personnel of both electrical and arc flash hazards.

LODEM

LOADING DOCK EQUIPMENT MANUFACTURERS

Loading Dock Equipment Manufacturers an Industry Group of

MHI

8720 Red Oak Boulevard, Suite 201

Charlotte, NC 28217-3992

Telephone: (704) 676-1190

FAX: (704) 676-1199

www.mhi.org

