



## Crash Guard™ Safety Products

*Improve plant safety and efficiency by reducing the costs associated with employee injury, machinery down time, insurance claims, and building repairs due to accidental collisions.*

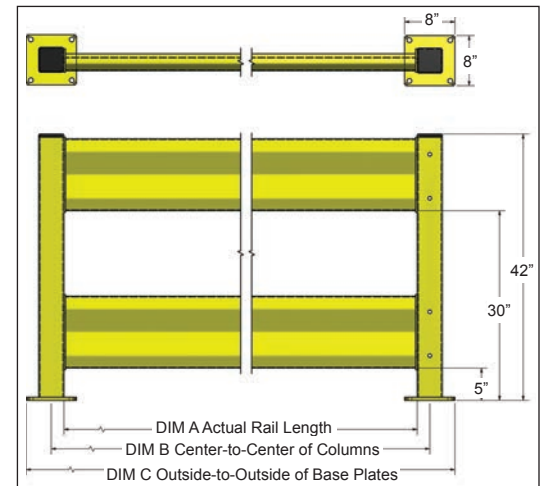
### TUFF GUARD SAFETY RAILING

- Ease of installation.
- 4" x 4" x 3/16" structural steel square tubing posts for mounting posts
- Plastic insert caps for mounting post closure and enhanced appearance
- Hardware for rail attachment included: 2 bolts per side (4 bolts per rail)
- Formed 10 gauge steel rails in lengths up to 12'
- Standard post heights: 18" and 42"
- 8" square base plates manufactured with 5/8" thick steel. Hardware includes four (ea.) 5/8" wedge anchors for concrete mounting
- Bolt fasteners are hidden behind the rail for a finished, clean look
- Railing that withstands impacts of up to a 10,000 pound load at 6 mph (with proper installation)
- Offset posts available



For information on Bluff's original Crash Guard, call 800-433-2212

RAIL	DIMENSION A	DIMENSION B	DIMENSION C
SR2	20"	24"	32"
SR3	32"	36"	44"
SR4	44"	48"	56"
SR5	56"	60"	68"
SR6	68"	72"	80"
SR7	80"	84"	92"
SR8	92"	96"	104"
SR9	104"	108"	116"
SR10	116"	120"	128"
SR11	128"	132"	140"
SR12	140"	144"	152"





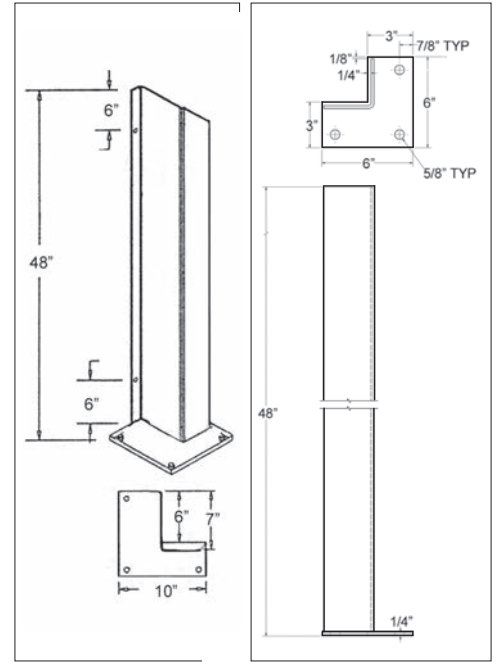
DG

DG48-3

## DOOR TRACK GUARD

Protects overhead door tracks from damage, reducing overall maintenance costs.

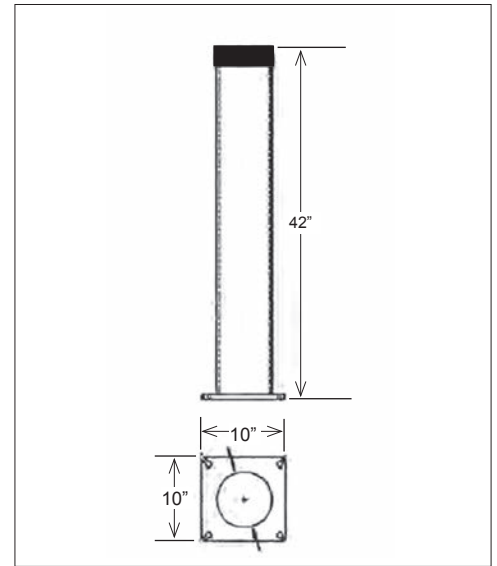
- Wrap-around track design allows for free door operation
- Chamfered edge reduces risk of hand injury when lowering door
- Choose from two styles: DG or DG48-3
- Columns are 3/16" thick steel
- Steel base plate is 1/4" x 6" x 6" (DG48-3) and 3/8" x 10" x 10" (DG) with three 5/8" holes (fasteners not included)



## BOLLARD

Protects personnel and machinery. Simply bolt into position—no concrete work required.

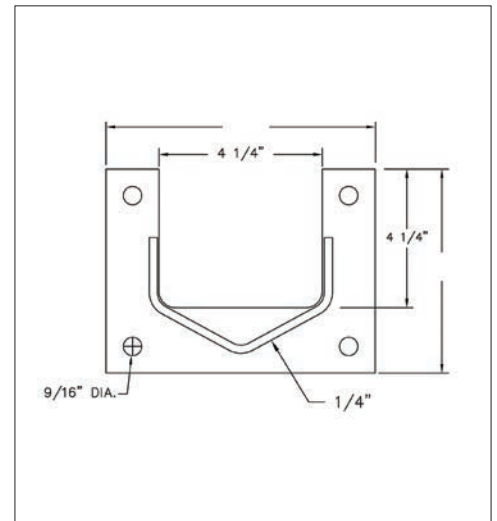
- 6" I.D. sch 40 pipe
- 42" high
- 10" x 10" x 5/8" base
- Black plastic cap
- 3/4" mount holes
- 5/8" anchors provided



## POST PROTECTOR

Protects posts from damage.

- Various thickness protection available in 1/4", 3/8", and 1/2"
- Height protection available in 12", 18", and 24" (1/4PO12 shown on right)
- Standard models fit around rack posts up to 4" wide
- Base plates have four 9/16" mounting holes (fasteners not included)



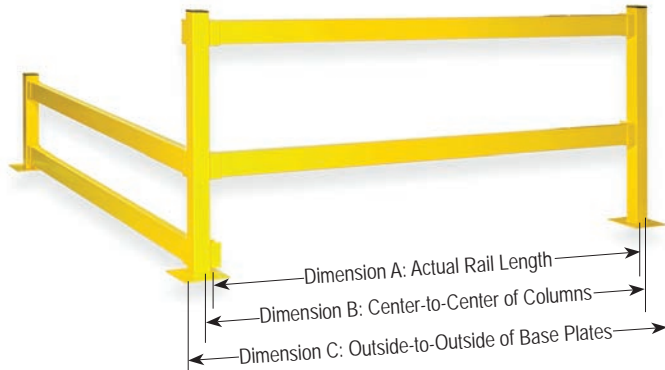
## MODULAR PROTECTIVE BARRIER

An inexpensive and simple solution to solving difficult safety barrier protection problems.



- Lift-out rail design allows access to areas quickly and safely. Available in 20" single or 42" double post design with guard rail lengths up to 10'
- 42" double rail meets OSHA guidelines for rail protectors
- "Lift out" design allows temporary access to specific areas quickly and safely
- Simple to install or cut custom sizes in the field
- Installation hardware not included

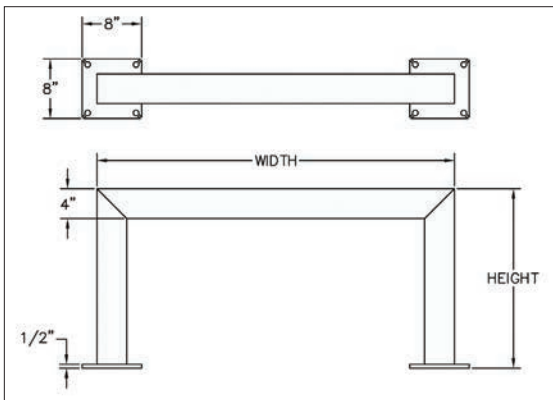
MODEL	DESCRIPTION	DIM A	DIM B	WEIGHT
MBPR4	4' RAIL	48"	56"	18
MPBR6	6' RAIL	72"	80"	27
MPBR8	8' RAIL	96"	104"	37
MPBR10	10' RAIL	120"	128"	46



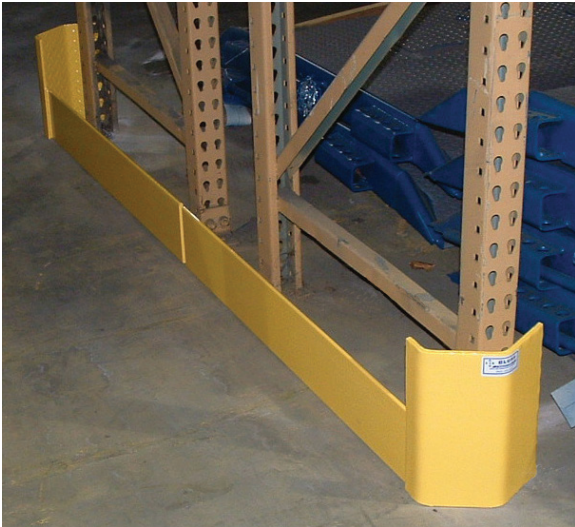
## MACHINE GUARD

Provides superior protection for your facility and machinery from costly forklift damage.

- Fully welded unit creates barriers between traffic areas and valuable machinery
- Height protection available in 10", 24", and 42" sizes
- 4" square steel tubing comes with 1/2" x 8" x 8" base plates
- 5" square steel tubing comes with 1/2" x 10" x 10" base plates
- Quick and easy installation



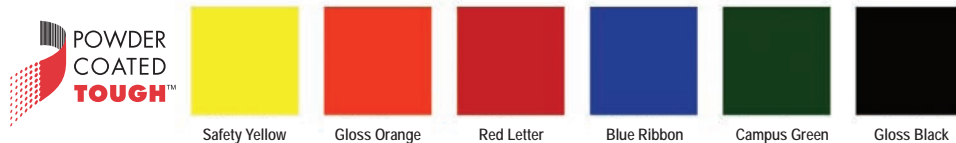
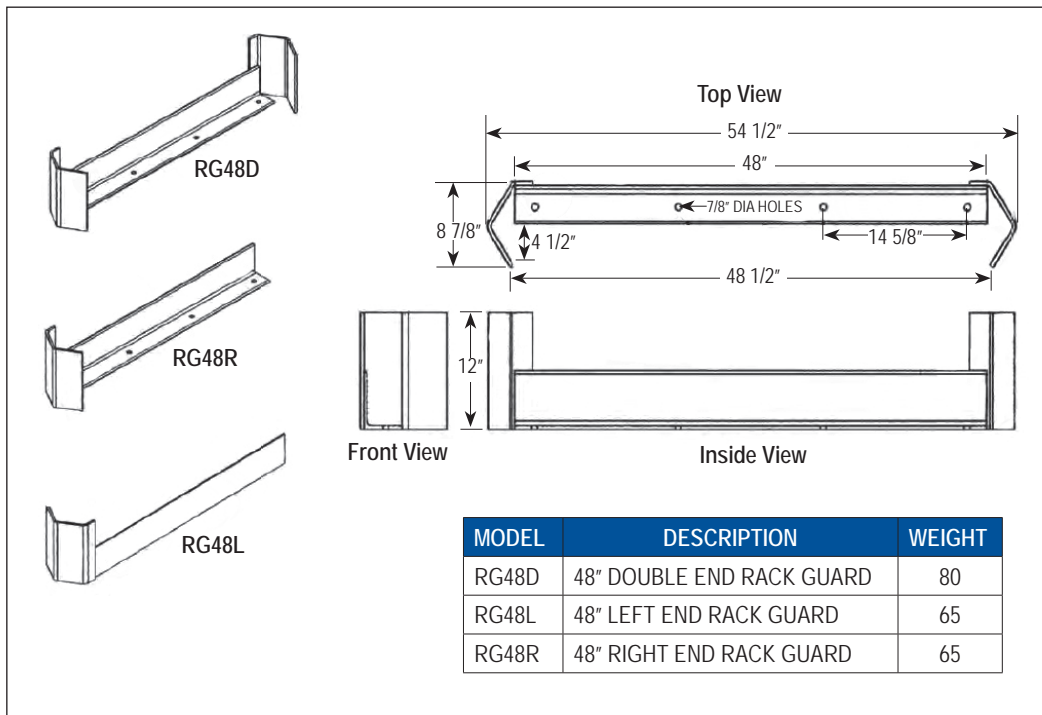




## RACK GUARD

A simple, inexpensive way to absorb fork truck impact that can damage valuable racks and products.

- Wrap-around feature protects rack from front and aisle damage
- Bolted to floor for extra stability
- Heavy duty design
- Installation hardware not included



All Crash Guard products are available in six standard colors, custom colors and galvanized finish.

