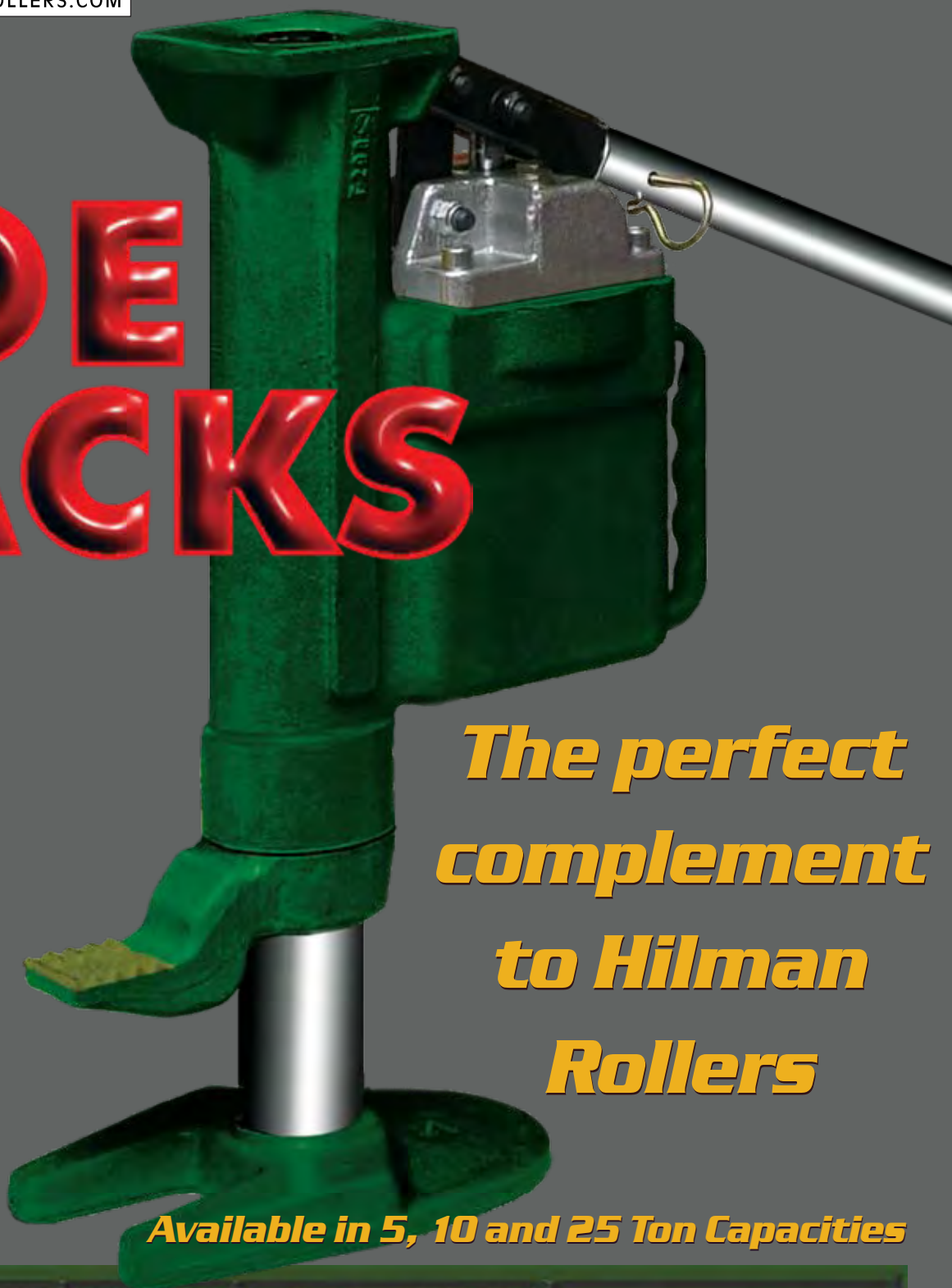


TOE JACKS



*The perfect
complement
to Hilman
Rollers*


Available in 5, 10 and 25 Ton Capacities



*Heavy Duty
Hydraulic Pump*



*Carrying
Handle*



*Low Clearance, only
needs 1.06"*



*Removable Handle
for easy transport*

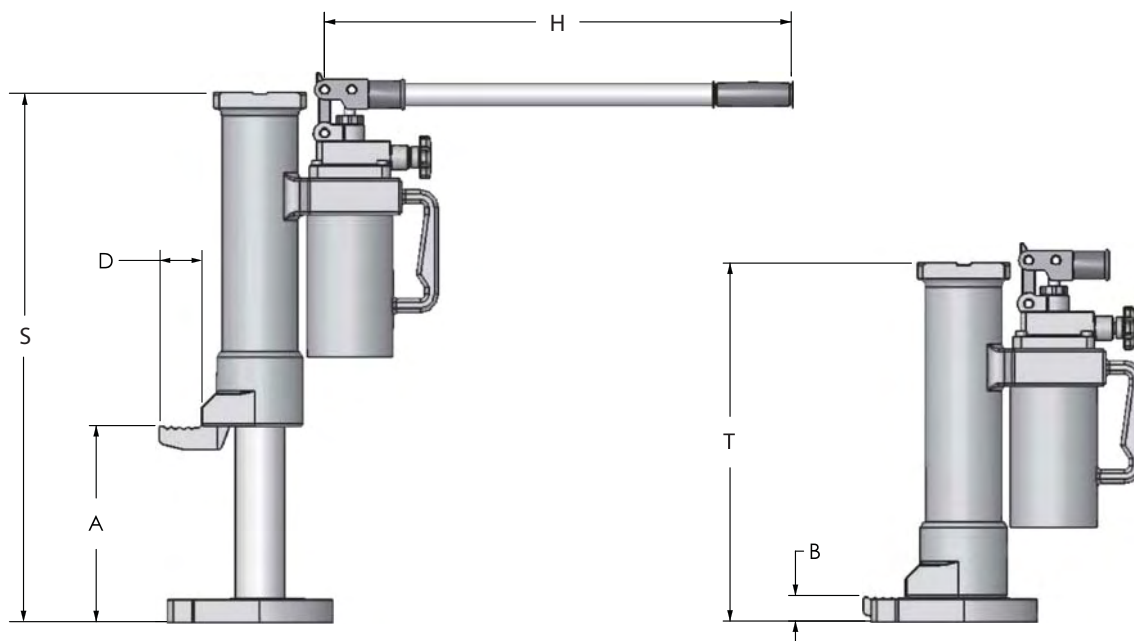
TOE JACKS

Strong, Portable and Safe

The Hilman Toe Jacks allow you to get under and lift equipment with just over 1" of ground clearance (1.06" to be exact) and since there are lifting points on both the toe and the top of the jack these are the perfect complement to Hilman Rollers.

Our Toe Jacks all comply with ASME B30.1 standards and include pressure valves to prevent overloading. In addition, our 5 & 10 ton models can operate both horizontally and vertically. Since the base, toe and pump assembly swivel completely independently of each other, you can fit the jack in confined spaces.

Of course, these Toe Jacks come with Hilman's famous quality reputation.



MODEL	CAPACITY	MAXIMUM LIFTING HEIGHT		PICKING UP POSITION HEIGHT		TOE DEPTH (D)	HANDLE LENGTH (H)	FORCE ON LEVER AT MAXIMUM LOAD		WEIGHT							
		At Base (A)		At Top (S)				At Base (B)			At Top (T)						
		inches	(mm)	inches	(mm)	inches	(mm)	inches	(mm)	inches	(mm)	lb.	(N)	lb.	(kg)		
HTJ5	5 TON	8	(206)	22.5	(574)	1	(25)	14.5	(368)	2.0	(55)	17.75	(451)	85.5	(380)	44	(20)
HTJ10	10 TON	9	(233)	25.5	(646)	1	(25)	16.25	(413)	2.0	(55)	17.75	(451)	90.0	(400)	61	(28)
HTJ25	25 TON	9	(233)	28	(703)	2	(58)	18.5	(470)	3.5	(90)	32.00	(825)	90.0	(400)	203	(92)



12 Timber Lane, Marlboro, New Jersey 07746 USA

tel: 732.462.6277 fax: 732.462.6355 e-mail: sales@hilmanrollers.com