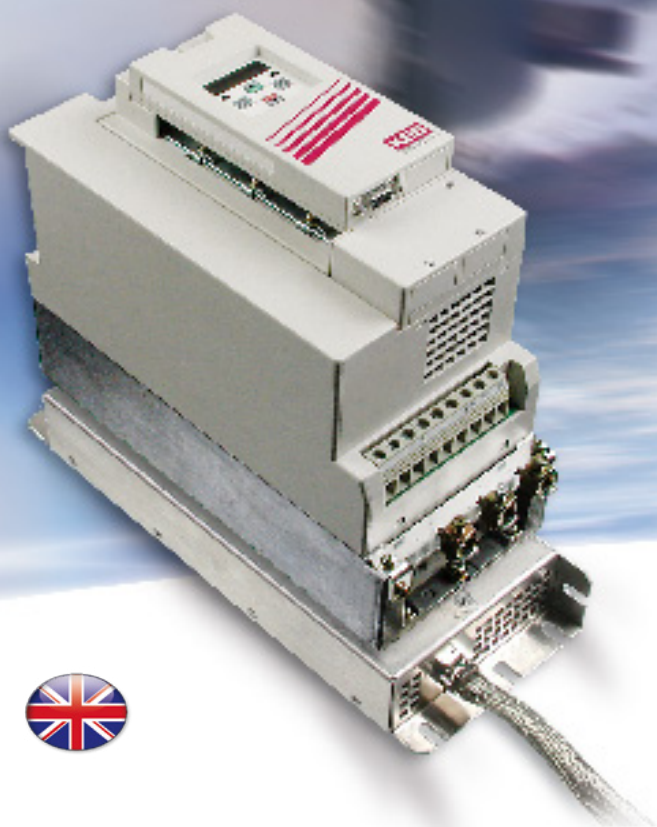


R6

COMBIVERT R6

MADE
IN
GERMANY



KEB COMBIVERT R6 - Philosophy

The kinetic energy of electric drives can be a valuable energy potential. Historically, that kinetic energy was eliminated through friction and/or a mechanical or electric braking device.

Regenerative loads are becoming more common due to increased usage of distributed high efficiency AC-drives and servo systems.

These same frequency inverters and servo controllers offer the possibility of converting the kinetic energy of the mechanical system into stored energy in the DC-circuit. Typically the excess energy is dissipated in a braking resistor as heat. However in combination with a regenerative unit, it is possible to feed back the energy into the main line power supply.

This is particularly useful in all applications where prolonged or continuous downward motion occurs or heat dissipation to the surrounding environment is not wanted.



R6

COMBIVERT R6

2

Energy saving by using line regen -

an environmental contribution that pays off!



Contents	Page
Philosophy	2
Appication examples	3
Block diagrams	3
System characteristics	4
Voltage- / current chart	5
Technical data	6
Type of connection / accessories	7
Addresses	8

Passenger lifts and freight elevators

- replacement of traditional braking resistors
- reduced fire hazard of the system
- return on investment through energy savings possible after less than 2 years of operating time

Connection of generators to utility system

- Power quality standards (e.g.: IEEE-519 / THiD < 12 %) can be met with harmonic filters
 - combustion engines
 - wind energy plants
 - hydropower plants

Theatre technology

- no heating of resistors
- high energy efficiency of the system
- low-noise braking operation

Flywheel energy buffer

- power failure ride through with large mechanical flywheels (kinetic energy buffers the power failure)

Eccentric Loads

- increased efficiency of variable speed drives with changing kinetic and regenerative load cycles

Lifting and conveying / storage retrieval systems

- DC-interconnected operation of multiple drives, support energy sharing and return of peak energy into the main line power supply
- no heat source mounted on the moving system

Test bench and test systems

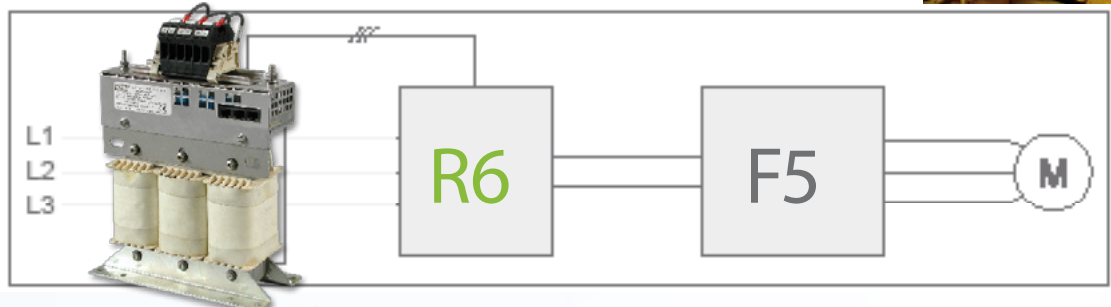
- continuous energy return
- parallel operation for higher power ratings

Centrifuges

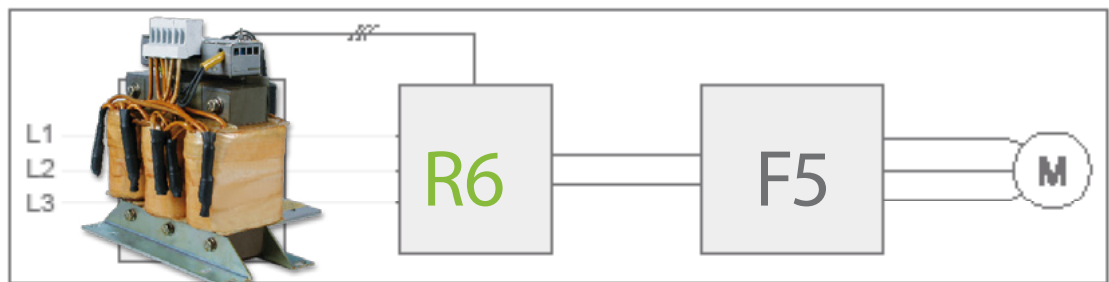
- regenerative braking of high kinetic energy
- increased productivity through short acceleration and deceleration times



Block diagram with commutation choke



Block diagram with harmonic filter

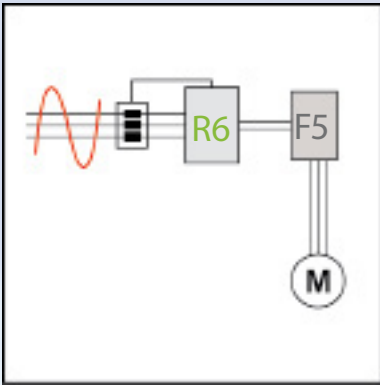


In combination with KEB COMBILINE filters, the R6-units create a sinusoidal return current as well as current draw from the main line power supply.

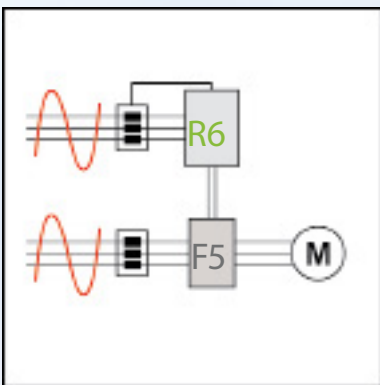
KEB COMBIVERT R6 - System characteristics

An economical block shaped feedback is available in a wide power range using single units or in a multiple parallel configuration.

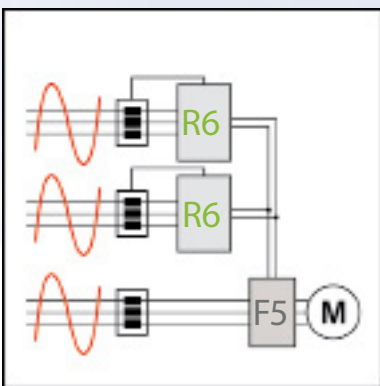
Feed-in / DC - FI



AC feed-in parallel



AC feed-in modular



- high capacity for DC connection of inverters and servo controllers
- complete systems: regen unit / commutation choke / EMC filter, EN 618003-, class C3.
- high overall efficiency provides optimum use of the kinetic energy
- indication of energy demand, energy returned and the net consumption (kWhr) gives a general overview on the economic efficiency of the system
- compact, modular design permits optimal system integration or retrofitting in existing factories
- universal design supports all popular supply voltages from 200 V ... 500 V AC (size 15 and 19), 50/60 Hz and/or 380 V ... 500 V AC (size 25 and 29), 50/60 Hz
- integrated DC fuse in size 15 and 19 reduces external wiring / installation costs
- digital control and serial connection into the control system by ...

Bus systems of the 1st and 2nd generation ...



DeviceNet KEB-HSP 5 / DIN 66019-

MODBUS CANopen



EtherCAT

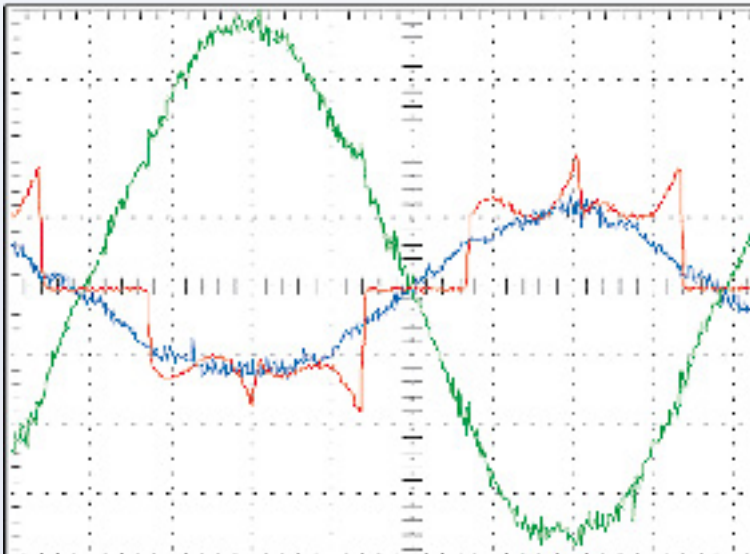
ETHERNET POWERLINK



SERCOS interface

Ethernet TCP/IP

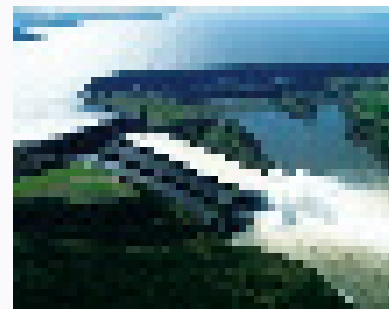
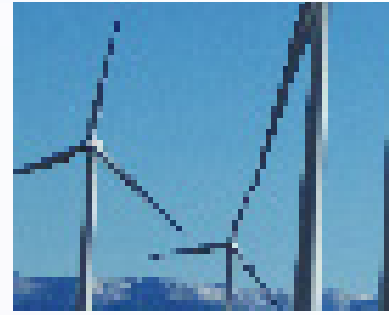
EtherNet/IP™



Voltage

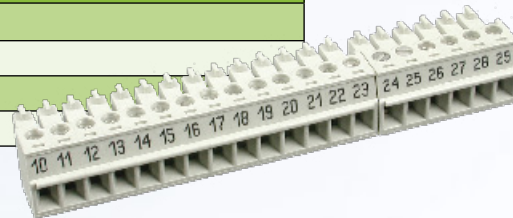
Current with harmonic filter

Current with line reactor



For the integration into the control system, the KEB COMBIVERT R6 has both serial communication and free programmable analog/digital in- and outputs.

Free programmable inputs / outputs	
4 x	digital in
2 x	digital out
2 x	Relais out
1 x	Analog out



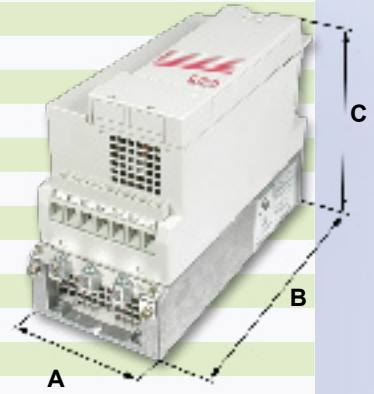
Easy handling is ensured through the factory-provided short menu (CP-Parameters). More customized adjustments are possible in the application level.

The universal PC tool KEB COMBIVIS offers a user friendly programming and monitoring platform for an easy start-up, diagnosis or maintenance. The download is free-of-charge at www.keb.de.



KEB COMBIVERT R6 - Technical data

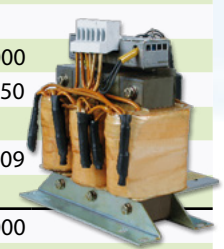
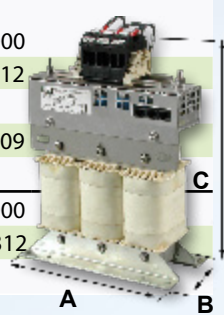
Supply- and regenerative units					
Part-No.		15.R6.S1E-900A	19.R6.S1E-900A	25.R6.S1R-900A	29.R6.S1P-910D
Housing size		E		R	P
Phases		3		3	
Rated voltage	[V]	400 (230)		400	
Mains voltage	[V]	180...550±0 %		305 ... 528 ± 0 %	
Mains frequency	[Hz]	50 / 60 ± 2		50 / 60 ± 2	
Regeneration					
Rated output power	[kVA]	18 (10.5)	45 (26)	153	346
Rated active power	[kW]	17 (10)	42 (23)	140	330
Max. output power	[kVA]	27 (15.5)	67.5 (39)	230	433
Max. active power	[kW]	25.5 (15)	63 (34.5)	210	413
Regenerative active current	[A]	26	65	221	500
Regenerative DC current	[A _{DC}]	32	80	270	590
Overload current (E.OL) 60 s	[A]	39	97.5	331	625
Max. regenerative DC current	[A _{DC}]	48	120	405	738
Supply					
Rated input power	[kVA]	18 (10.5)	48.5 (28)	153	336
Rated active power	[kW]	16 (10)	44.5 (25,5)	135	310
Max. input power	[kVA]	27 (15.5)	72.5 (42)	230	420
Max. active power	[kW]	24 (14.5)	67 (38)	202	388
Rated supply current	[A]	26	70	221	485
DC supply current	[A _{DC}]	32	87	270	590
Overload current (E.OL) 60 s	[A]	39	105	331	606
Max. DC supply current 60 s	[A _{DC}]	48	130	405	738
Overload limit	[%]	160	160	160	160
DC fuse internal		option		-	-
Dimensions (A x B x C)	[mm]	130 x 290 x 208		340 x 520 x 357	340 x 960 x 453
Weight	[kg]	5.6	5.6	25	97.5



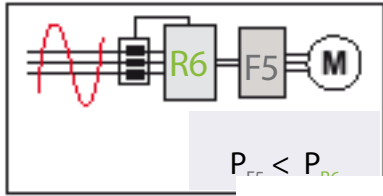
* The values in brackets apply to the operation on 230 V power supply.

Main line commutation

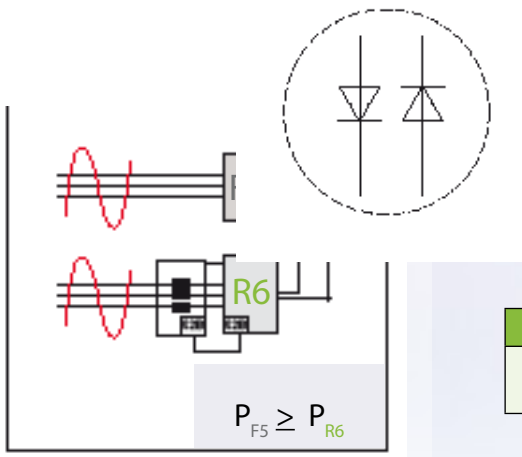
Block-shaped feed-back	with / without synchronization	Commutation choke		size	15	19	25	29
		Rated current	[A]	26	70	221	485	
Overload	[%]	160	160	150	125			
Single operation Parallel op. Master	Part-No.		15.Z1.B05-1001	19.Z1.B05-1000	25.Z1.B04-1000	29.Z1.B04-1000		
	Dimensions (A x B x C)	[mm]	178 x 100 x 258	243 x 115 x 290	316 x 222 x 234	412 x 266 x 312		
Parallel operation Slave	Part-No.		15.Z1.B05-1003	19.Z1.B05-1003	25.Z1.B04-1000	29.Z1.B04-1000		
	Dimensions (A x B x C)	[mm]	178 x 100 x 178	243 x 115 x 290	316 x 222 x 234	412 x 266 x 312		
Synchronization			internal	internal	00.R6.940-2409	00.R6.940-2409		
Weight		[kg]	-	-	0.65	0.65		
Weight		[kg]	5.6	13.7	30	45		
Sinusoidal feed-back	with / without synchronization	Harmonic filters THD ≤ 8 %		size	15	19	25	29
		Rated current	[A]	25.2	63	221	460	
Overload	[%]	160	160	160	160			
Single operation Parallel op. Master	Part-No.		15.Z1.C04-1002	19.Z1.C04-1002	25.Z1.C04-1000	29.Z1.C04-1000		
	Dimensions (A x B x C)	[mm]	291 x 208 x 285	352 x 355 x 335	552 x 550 x 520	660 x 670 x 650		
Parallel operation Slave	Part-No.		15.Z1.C04-1000	19.Z1.C04-1000	25.Z1.C04-1000	29.Z1.C04-1000		
	Dimensions (A x B x C)	[mm]	291 x 214 x 257	352 x 307 x 326	552 x 550 x 520	660 x 670 x 650		
Synchronization			internal	internal	00.R6.940-2409	00.R6.940-2409		
Weight		[kg]	26.4	62	244/245	513/514		
Weight		[kg]	26.4	62	0.65	0.65		
Weight		[kg]	25.5	61	244/245	513/514		



The KEB COMBIVERT R6 regenerative units are designed for the supply and energy return from one or several parallel motor drive controls.

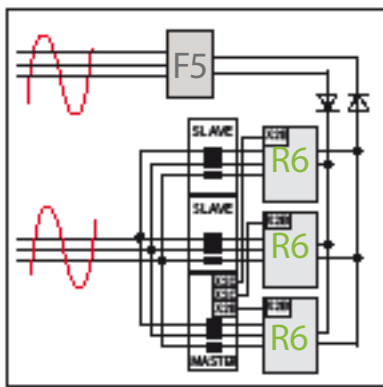


For that purpose the connected drive controls are supplied via a DC bus connection. The braking energy returned to the DC bus is fed back into the main line power supply.



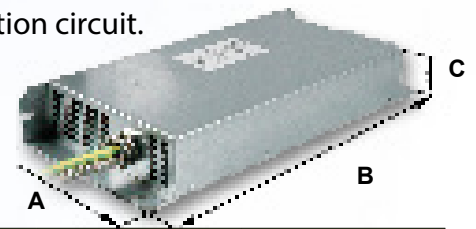
For applications having smaller requirements for energy return, the supply of the regenerative unit and the drive controller is done in parallel. We recommend the use of decoupling diodes to route the current flow appropriately.

Size	15.R6.	19.R6.	25.R6.	29.R6.
Diode Part.-No.	00.90.147-3500	00.90.147-4101	00.90.147-6009	00.90.147-6009



When the power of more than one unit is required but not as much as the next larger size, the units may be operated with up to 3 units connected in parallel. The “master” synchronization signal of the main line power supply (X2B) is connected in parallel to all regenerative units.

With parallel connection of E housing units, the “slave” units are to be connected to commutation chokes and harmonic filters without a synchronization circuit.



EMC-Filter

EMC Filter	Size	15	19	25	29
Part.-No.		15.E4.T60-1001	19.R6.T60-1001	25.E4.T60-1001	30.E4.T60-1001
Dimensions (A x B x C)	[mm]	132 x 352 x 50	198 x 422 x 65	110 x 630 x 240	250 x 640 x 130
Weight	[kg]	2	6	16	14

Accessory:

For compliance with a good EMC-environment, a ferrite ring shall be installed over the DC bus connection at each motor drive. The following ferrites are available based on the wire cross section:

Ferrite	Core size [mm]	Internal diameter [mm]
00.90.396-2621	R42/26/18	24.9
00.90.390-5421	R56/32/18	29.5
00.90.395-3820	R63/38/25	36.0
00.90.395-5222	R87/54/30	54.5
00.90.395-5520	R102/66/15	64.5

Headquarters

KEB

5100 Valley Industrial Blvd. S
Shakopee, MN 55438

SUBSIDIARIES

AUSTRIA

KEB Antriebstechnik
Austria GmbH
Ritzstraße 8
A - 4614 Marchtrenk
Tel.: +43 (0)7243 53586-0
Fax: +43 (0)7243 53586-21
E-Mail: info@keb.at
Internet: www.keb.at

CHINA

KEB Power Transmission
Technology (Shanghai) Co. Ltd.
No. 435 QianPu Road
Songjiang East Industrial Zone
CN - 201611 Shanghai, P.R. China
Tel.: +86 (0)21 37746688
Fax: +86 (0)21 37746600
E-Mail: info@keb.cn
Internet: www.keb.cn

GERMANY

KEB Antriebstechnik GmbH
Wildbacher Straße 5
D - 08289 Schneeberg
Tel.: +49 (0)3772 67-0
Fax: +49 (0)3772 67-281
E-Mail: info@keb-combidrive.de

FRANCE

Société Française KEB
Z.I. de la Croix St. Nicolas
14, rue Gustave Eiffel
F - 94510 LA QUEUE EN BRIE
Tel.: +33 (0)149620101
Fax: +33 (0)145767495
E-Mail: info@keb.fr
Internet: www.keb.fr

GREAT BRITAIN

KEB (UK) Ltd.
6 Chieftain Business Park,
Morris Close
Park Farm, Wellingborough
GB - Northants, NN8 6 XF
Tel.: +44 (0)1933 402220
Fax: +44 (0)1933 400724
E-Mail: info@keb-uk.co.uk
Internet: www.keb-uk.co.uk

ITALY

KEB Italia S.r.l.
Via Newton, 2
I - 20019 Settimo Milanese (Milano)
Tel.: +39 02 33535311
Fax: +39 02 33500790
E-Mail: info@keb.it
Internet: www.keb.it

JAPAN

KEB - Japan Ltd.
15 - 16, 2 - Chome
Takanawa Minato-ku
J - Tokyo 108 - 0074
Tel.: +81 (0)33 445-8515
Fax: +81 (0)33 445-8215
E-Mail: info@keb.jp
Internet: www.keb.jp

RUSSIA

KEB RUS Ltd.
Krasnokazarmeny proezd 1
RUS - 111050 Moscow
Tel.: +7 (0)495 7952317
Fax: +7 (0)495 6453913
E-Mail: info@keb.ru
Internet: www.keb.ru

USA

KEB America, Inc
5100 Valley Industrial Blvd. South
USA - Shakopee, MN 55379
Tel.: +1 952 2241400
Fax: +1 952 2241499
E-Mail: info@kebameric.com
Internet: www.kebameric.com

Representative offices in Belgium • Korea • Sweden • Spain

Further partner in...

Egypt • Australia • Belgium • Bolivia • Brazil • Chile • Denmark • Greece • India • Indonesia • Iran • Israel • Kazakhstan • Malaysia • Morocco • New Zealand • Netherlands • Pakistan • Poland • Portugal • Romania • Sweden • Switzerland • Singapore • Slovakia • Spain • South Africa • Taiwan • Thailand • Tunisia • Czech Republic • Turkey • Ukraine • Hungary • Uzbekistan

KEB America Homepage
Regenerative Drives



© KEB 00.00.000-51R6 / 04-2009 • Subject to technical changes!

