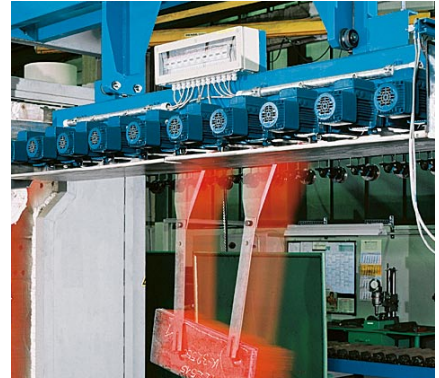
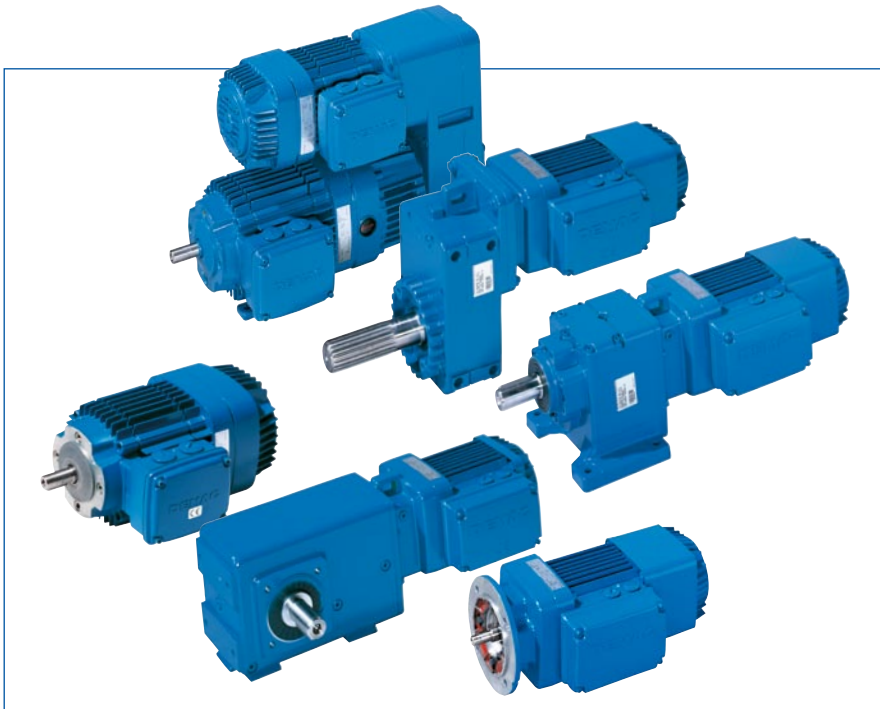


Components and assemblies of drives

Carry, drive, guide and move



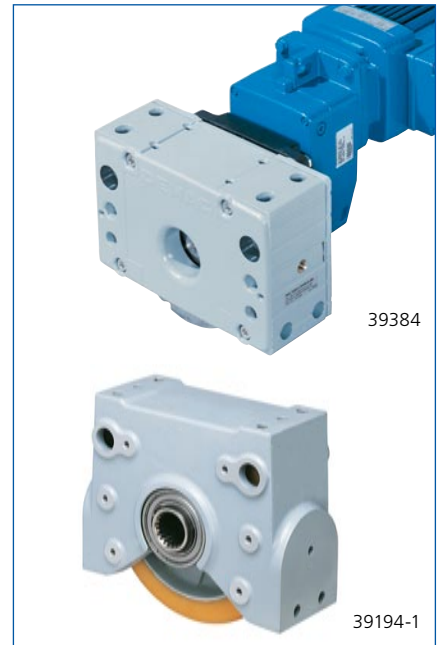
Complete industrial drive solutions – from wheels to inverters



Geared motors

Excellent line-fed travel motors for one or two speeds, conical-rotor brake motors for highest demands for starting and stopping applications, as well as cylindrical-rotor motors for standard applications are available

for outputs ranging from 0.28 to 70 HP as D-type helical geared motors for 65 to 4,275 lb-ft, as W-type right angle geared motors for 90 to 8,850 lb-ft and as A-type offset geared motors from 95 to 8,480 lb-ft.



DRS wheel block system

Innovative series-produced assemblies for travel units with wheel loads up to 88,000 lbs.

LRS travel wheel system

Robust, universal and easy to select for a wide range of applications in the lower load range up to 14,300 lbs.



Dedrive Compact frequency inverters

For the lower motor output range up to 75 HP.

Dedrive Pro frequency inverters

The universal solution for line voltages from 380 to 690 V and motor outputs up to 750 HP.



RS wheel block system

Stainless or sheet steel design for special applications (e.g. at high temperatures up to 350 °C) for loads weighing up to 39,600 lbs.

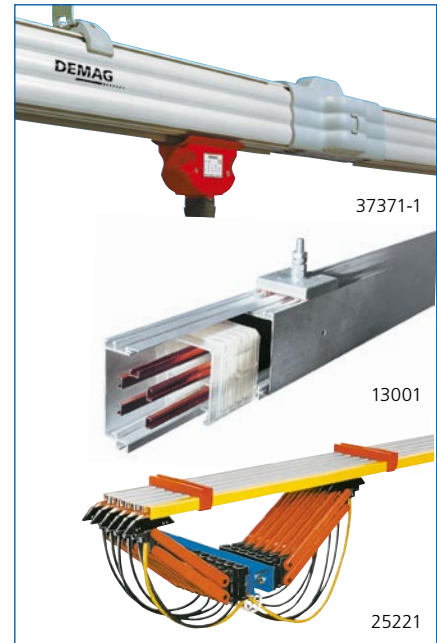
RAE/RNE wheel sets

Perfect for applications in the highest load range up to 132,000 lbs.



Application assemblies

The standard design is already suitable for travel and lifting applications with one or several motors. The extended standard is suitable for synchronised operation of hoist drives and for distributing loads between coupled drives.



Power supply lines

Compact Line DCL is compact and easy to install and service.

DKK compact conductor lines are ideal for higher ambient temperatures.

Universal and flexible **DEL single conductors** can be used for a wide variety of applications.

Easy project engineering with Drive Designer online and CalDrive

Drive Designer Online (www.demag-drivenodesigner.com) makes it possible to select helical, right angle and offset geared

motors as well as travel components easily, fast and reliably. Everything you need for your design can be called up direct by mouse click.

CalDrive calculation software quickly enables you to find a solution to

meet your drive needs. You can easily specify drives for travel and hoist applications, as well as for roller, chain or belt conveyors.

Sales and Service Centers in North America

California 5435 Industrial Parkway • San Bernardino, California 92407
Telephone (909)880-8800 • Fax (909)880-4469

Georgia 254 Lake Ruby Drive • Suwanee, Georgia 30024
Telephone (678)546-0593 • Fax (678)482-7653

Illinois 11261 Kiley Drive • Huntley, Illinois 60142
Telephone (847)515-7030 • Fax (847)515-7040

Michigan 46545 Continental Drive • Chesterfield, Michigan 48047
Telephone (586)949-6035 • Fax (586)949-2038

Missouri 3375 Hwy 185 • Washington, Missouri 63090
Telephone (636)390-2495 • Fax (636)390-0366

South Carolina BTC 560, Suite 150, 454 S. Anderson Road • Rock Hill, SC 29730
Telephone (803)909-9000 • Fax (803)909-9001

Ohio 29201 Aurora Road • Cleveland, Ohio 44139
Telephone (440)248-2400 • Fax (440)248-3874

Ontario 1155 North Service Road West, Unit 1 • Oakville, Ontario L6M 3E3
Telephone (905)825-5900 • Fax (905)825-5901

Quebec 3524, Rue Ashby • St-Laurent, Quebec H4R2C1
Telephone (514)336-5556 • Fax (514)336-4349

Texas 16430 Aldine-Westfield Road • Houston, Texas 77032
Telephone (281)443-7331 • Fax (281)443-7308

Washington 704 - 228th Avenue NE • Sammamish, Washington 98074
Telephone (425)883-4668 • Fax (425)883-4828

Demag Cranes & Components Corp.

29201 Aurora Road
Cleveland, Ohio 44139
Telephone (440)248-2400
Fax (440)248-3874
www.demag-us.com