

Extend the capabilities of your JDN Hoist. From 1 Ton to 25 Ton Capacity, Air Pressure 85 PSI (6 Bar)

To complement our JDN PROFI Series Hoists, we offer **JDN Trolleys**, which meet the same rugged standards as our hoists. They're easy to install, feature an adjustable flange width, and can be fitted with either a permanent lug mount or a simple hook suspension.

They are designed in accordance with DIN 15018 stress group B4 lifting grade H2...and are available as plain trolleys, hand gear trolleys and motorized trolleys.

FEATURES

- Equipped with anti-drop, anti-climb devices
- Fitted with rollers to prevent tilting
- Able to negotiate curves. Up to 3 ton, minimum radius 20 inches (0.5 m); Over 3 ton, minimum radius 40 inches (1 m)
- Trolley wheels are designed to fit tapered and paralleled beam flanges
- Easy to install
- Rugged, sturdy, and safe!

TECHNICAL DATA

The denomination of the trolley is composed of the short denomination (LN, LH, LM) and the carrying capacity acc. to table, as for example LN 1 ton.

JDN Air Hoist PROFI		Type	025 TI	05 TI	1 TI	2 TI	3 TI	6 TI	10 TI	16 TI	20 TI
Carrying capacity of trolley LN		mt	0.5		1	2	3.2	6.3	10-16		–
Carrying capacity of trolley LH and LM		mt	2				3.2	6.3	10-16		20
Carrying capacity of hoist with trolley		mt	0.3	0.5	1	2	3.2	6.3	10	16	20
Weight of Plain Trolley (LN)		lbs kg	17 7.7		23.1 10.5	39.6 18	57.2 26	257.4 117	264 120	–	–
Weight of Geared Trolley (LH)		lbs kg	57.2 26				81.4 37	279.4 127	418.9 190	573.2 260	–
Weight of Motor Trolley (LM)		lbs kg	70.4 32				72.6 33	272.8 124	418.9 190	573.2 260	–
Host weight, standard lift		lbs kg	59.5 27	59.5 27	61.7 28	75 34	189.2 86	242 110	343.2 156	528 240	628.3 285
Total weight with standard lift Plain Trolley		lbs kg	76.5 34.7	76.5 34.7	84.9 38.5	114.6 52	246.4 112	499.2 227	607.2 276	792 360	–
Total weight with standard lift Geared Trolley		lbs kg	130.1 59	130.1 59	132.3 60	145.5 66	270.6 123	521.4 237	762.8 346	948 430	1201.5 545
Total weight with standard lift Motor Trolley		lbs kg	116.8 53	116.8 53	119.1 54	132.3 60	261.8 119	514.8 234	762.8 346	948 430	1201.5 545
Weight of chain		lbs/ft kg/m	0.7 1				2.6 3.8		3.9 5.8		–
Number of chaine strands			1		2		1	2	2	3	4
Air consumption Motor Trolley (at full load)		cfm m ³ /min	21.3 0.6				–		46.1 1.3		–
Air consumption hoist (at full load)		cfm m ³ /min	53 1.5				–		194.2 5.5		–
Motor output Motor Trolley		kW	0.2				–		0.7		–
Motor output hoist		kW	1				–		3.5		–
Travelling distance Geared Trolley, chain reel off		30 ft 10 m	4.6 1.4				–		3.6 1.1		3.3 1.0
Travelling speed Motor Trolley		ft/min m/min	29.5* / 14 9* / 14				–		16.4* / 12 5* / 12		–
Hose connection Motor Trolley			G 1/2				–		G 3/4		–
Minimum radius Plain Trolley		ft m	3 ¹ 0.9 ¹		3.3 ¹ 1.0 ¹	3.9 ¹ 1.2 ¹	1.6 ² 0.5 ²	3.3 ² 1 ²		–	
Minimum radius Geared Trolley and Motor Trolley		ft m	1.6 ² 0.5 ²				–		3.3 ² 1 ²		4.9 1.5 ²
Max. bottom flange thickness t Plain Trolley		inch. mm	1.2 30		1.0 25	1.1 28	1.6 40	2.6 65		–	
Max. bottom flange thickness t Geared and Motor Trolley		inch. mm	1.6 40				–		2.6 65		–
Max. bottom flange width b Plain Trolley		inch. mm	8.7 220		12 305		12.2 310		–		
Max. bottom flange width b Geared and Motor Trolley		inch. mm	11 280				12.2 310		–		
Min. bottom flange width b Plain Trolley		inch. mm	2 50		2.3 58	2.6 66	2.1 54	4.9 125		–	
Min. bottom flange width b Geared and Motor Trolley		inch. mm	2 50				2.1 54		4.9 125		5.8 148
Sound Level Motor Trolley ³		dB(A)	80								–

* 1. 1 st speed of F-control with two speeds

¹ Measured at the middle of the beam

² Measured at the inner edge of the beam

³ Measured at 1000 mm (39.37 inch.) distance

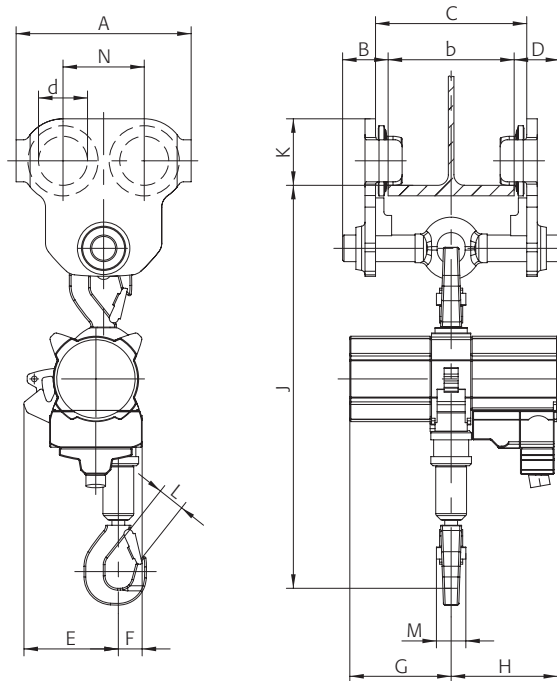


PROFI in Plain Trolley (LN)

TECHNICAL DATA

JDN Air Hoist PROFI	Type	025 TI	05 TI	1 TI	2 TI	3 TI	6 TI	10 TI	16 TI
in Trolley		LN 0.5 t		LN 1 t	LN 2 t	LN 3.2 t	LN 6.3 t	LN 10-16 t	
A	inch. mm	10.2 260			12.2 310	11.5 292	19.7 500	19.3 490	
B max.	inch. mm	4.7 119		4.8 122	6.4 162	4.5 113	5.6 141	5.8 146	
C	inch. mm	b + 1.1 b + 28			b + 1 b + 26	b + 2.4 b + 60		b + 2.8 b + 70	
d	inch. mm	2.2 55		2.7 68	3.2 80	3.3 84		6.5 165	
D max.	inch. mm	4.7 119			4.8 122	4.5 113	5.6 141	5.8 146	
E	inch. mm		5.4 137			7.4 187	6.1 154	7.8 197	7.8 199
F	inch. mm	1.5 39			1.8 46		3.1 79	4.3 109	
G	inch. mm		5.7 145			9.2 233		12.1 308	15 382
H	inch. mm		6 152			9.8 250		10.5 267	12.2 310
J ¹ min. headroom ¹ mounted	inch. mm	-	-	-	-	25 635	30 763	37.2 944	39.3 997
J* suspended	inch. mm		20.9 530		23.5 597	31.4 798	36.2 919	44.5 1131	47.8 1215
K	inch. mm	2.7 67.5		3.2 81.5	3.7 94	4.2 107		7.8 198	
L	inch. mm		1.1 28			1.2 30	1.6 40	1.7 44	2.1 53
M	inch. mm			1.7 42			2 51	2.6 66	3.2 82
N	inch. mm	5.1 130			5.9 150	5.4 136		9.3 236	

¹ Chain containers increase the headroom



PROFI 1 TI in Plain Trolley

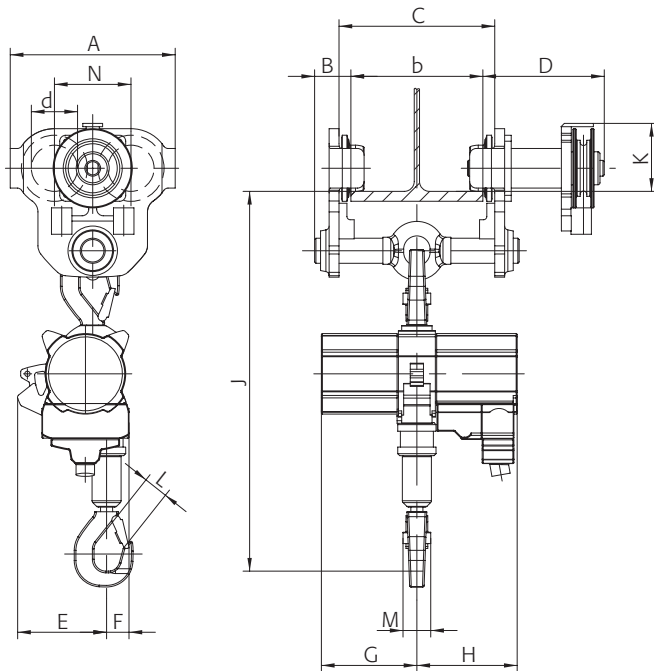


PROFI in Geared Trolley (LH)

TECHNICAL DATA

JDN Air Hoist PROFI	Type	025 TI	05 TI	1 TI	2 TI	3 TI	6 TI	10 TI	16 TI	20 TI
in Trolley			LH 2 t			LH 3.2 t	LH 6.3 t	LH 10-16 t		LH 20 t
A	inch. mm		9.8 250			11.5 292	19.7 500	19.3 490		23.6 600
B max.	inch. mm		5.1 130			4.5 113	5.6 141	5.8 146		6.1 155
C	inch. mm		b + 1.4 b + 36			b + 2.4 b + 60		b + 2.8 b + 70		b + 2.7 b + 68
d	inch. mm		2.8 70			3.3 84		6.5 165		7.3 185
D	inch. mm		11.2 284			11.6 294	12.1 307	12.3 312		12.6 320
E	inch. mm		5.4 137			7.4 187	6.1 154	7.8 197	7.8 199	7.1 180
F	inch. mm		1.5 39			1.8 46	3.1 79	4.3 109		5.3 135
G	inch. mm		5.7 145			9.2 233		12.1 308	15 382	15 382
H	inch. mm		6 152			9.8 250		10.5 267	12.2 310	12.2 310
J ¹ min. headroom ¹ mounted	inch. mm	- -	- -	- -	- -	25 635	30 763	37.2 944	39.3 997	44.9 1140
J ¹ suspended	inch. mm		22.2 563			24.1 611	31.4 798	36.2 919	44.5 1131	47.9 1216
K	inch. mm		4.1 103			4.3 110		7.8 198		8.9 226
L	inch. mm		1.1 28			1.2 30	1.6 40	1.7 44	2.1 53	2.9 75
M	inch. mm			1.7 42			2 51	2.6 66	3.2 82	3.4 86
N	inch. mm		4.6 116			5.4 136		9.3 236		10.8 274

¹ Chain containers increase the headroom



PROFI 1 TI in Geared Trolley

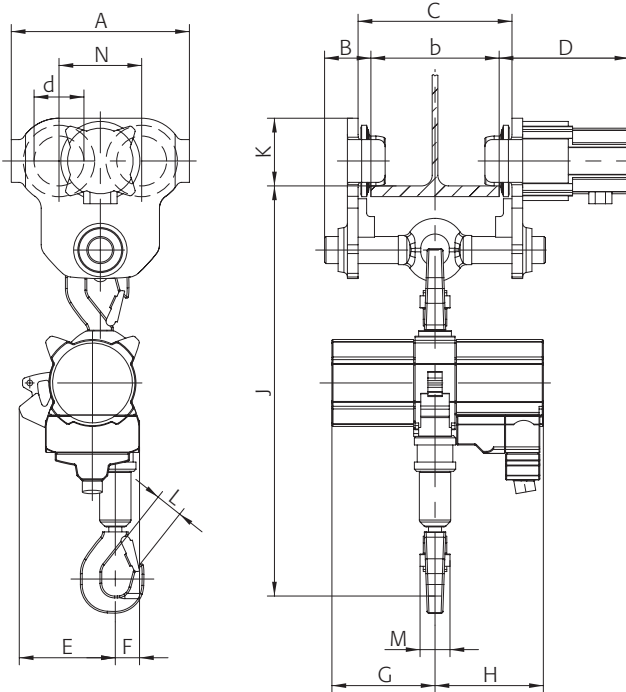


PROFI in Motor Trolley (LM)

TECHNICAL DATA

JDN Air Hoist PROFI	Type	025 TI	05 TI	1 TI	2 TI	3 TI	6 TI	10 TI	16 TI	20 TI
in Trolley			LM 2 t			LM 3.2 t	LM 6.3 t	LM 10-16 t		LM 20 t
A	inch. mm		9.8 250			11.5 292	19.7 500	19.3 490		23.6 600
B max.	inch. mm		5.1 130			4.5 113	5.6 141	5.8 146		6.1 155
C	inch. mm		b + 1.4 b + 36			b + 2.4 b + 60		b + 2.8 b + 70		b + 2.7 b + 68
d	inch. mm		2.8 70			3.3 84		6.5 165		7.3 185
D	inch. mm		7.2 183			11.7 297	8.1 205	12.5 318		12.9 328
E	inch. mm		5.4 137			7.4 187	6.1 154	7.8 197	7.8 199	7.1 180
F	inch. mm		1.5 39			1.8 46	3.1 79	4.3 109		5.3 135
G	inch. mm		5.7 145				9.2 233	12.1 308	15 382	15 382
H	inch. mm		6 152			9.8 250		10.5 267	12.2 310	12.2 310
J ¹ min. headroom ¹ mounted	inch. mm	- -	- -	- -	- -	25 635	30 763	37.2 944	39.3 997	44.9 1140
J ¹ suspended	inch. mm		22.2 563		24.1 611	31.4 798	36.2 919	44.5 1131	47.9 1216	58.7 1490
K	inch. mm		3.7 95			4.2 107		8.5 215		8.6 218
L	inch. mm		1.1 28			1.2 30	1.6 40	1.7 42	2.1 55	2.9 75
M	inch. mm			1.7 42			2 51	2.6 66	3.2 82	3.4 86
N	inch. mm		4.6 116			5.4 136		9.3 236		10.8 274

¹ Chain containers increase the headroom



PROFI 2TI in Motor Trolley

