

JDN HYDRAULIC HOISTS PROFI SERIES

PROFI 3 TI-H - PROFI 20 TI-H

Carrying capacities: 3 Ton to 20 Ton



PROFI 6 TI-H

JDN is proud to offer **JDN Hydraulic Hoists** and **Hydraulic Monorail Hoists** with carrying capacities up to 100 ton.

Depending of motor size the hoists and monorail hoists work with an intake pressure ranging from 100 Bar up to 180 Bar. Pressure fluids: Oil or HFC.

Our Hydraulic hoists can be deployed as an alternative to air driven units in all places where hydraulic lines, central hydraulic systems or hydraulic aggregates are existent.

■ ADVANTAGES

- Predestined for application in explosion-endangered areas
- Sensitive, infinitely variable speed control of lifting/lowering and driving moves
- Quiet operating volume
- Encapsulated and robust gear motor
- Integrated overload protection
- Only two supply connections at hoist "P" and "T", leakage oil drained internally
- Controlled load-lowering in case of supply oil failure up to 20mt

■ TECHNICAL DATA

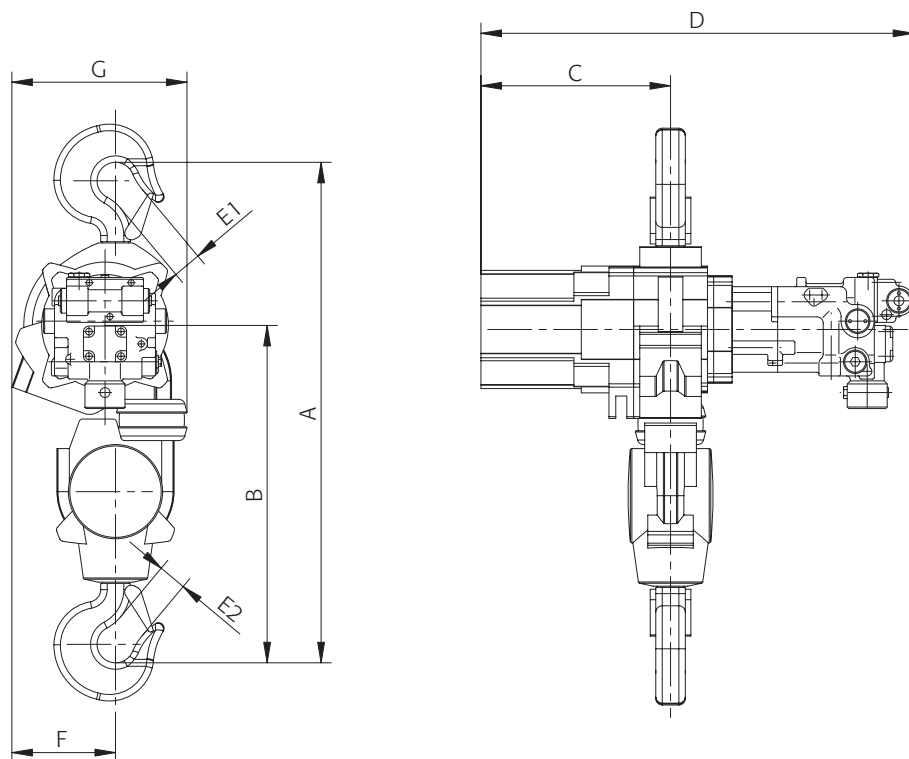
Type		3 TI-H	6 TI-H	10 TI-H	16 TI-H	20 TI-H
Carrying capacity	mt	3.2	6.3	10	16	20
No. of chain strands		1	2	2	3	4
Motortype		KM 1/16	KM 1/16	KM 1/16	KM 1/16	KM 1/16
Motor output	kW	3.5	3.5	3.5	3.5	3.5
Intake pressure	PSI	1885	1885	1885	1885	1885
	Bar	130	130	130	130	130
Intake volume	cfm	1.7	1.7	1.7	1.7	1.7
	l/min	48	48	48	48	48
Lifting speed - full load	ft/min	16.7	8.5	5.6	3.6	2.6
	m/min	5.1	2.6	1.7	1.1	0.8
Lifting speed without load	ft/min	17.4	9.2	6.6	4.3	3
	m/min	5.3	2.8	2.0	1.3	0.9
Lowering speed - full load	ft/min	18	9.8	6.9	4.9	3.3
	m/min	5.5	3.0	2.1	1.5	1.0
Lowering speed without load	ft/min	17.4	9.2	6.7	4.3	3
	m/min	5.3	2.8	2.0	1.3	0.9
Connection		G 1/2	G 1/2	G 1/2	G 1/2	G 1/2
Hose dimension		DN 12	DN 12	DN 12	DN 12	DN 12
Weight at standard lift with control	lbs	1285	2127	2072	2072	5423
	kg	583	965	940	940	2460
Chain dimension	mm	13 x 36	13 x 36	16 x 45	16 x 45	16 x 45
Weight of chain	lbs/ft	2.6	2.6	3.9	3.9	3.9
	kg/m	3.8	3.8	5.8	5.8	5.8
Standard lift	ft	10	10	10	10	10
	m	3	3	3	3	3
Length of control at standard lift	ft	6.5	6.5	6.5	6.5	6.5
	m	2	2	2	2	2



DIMENSIONS

Type		3 TI-H	6 TI-H	10 TI-H	16 TI-H	20 TI-H
A smallest headroom ¹	inch.	23.4	26.5	32	35.4	40.6
	mm	593	674	813	898	1030
B	inch.	14.7	17.9	21.6	23.5	26.4
	mm	373	454	548	598	670
C	inch.	9.2	9.2	12.2	15	15
	mm	233	233	308	382	382
D	inch.	21	21	24.6	29.2	29.2
	mm	533	533	625	742	742
E ¹	inch.	1.6	1.6	1.8	2.1	3
	mm	40	40	44	53	75
E ²	inch.	1.2	1.6	1.8	2.1	3
	mm	30	40	44	53	75
F ¹	inch.	7.4	6.1	7.8	7.8	7.1
	mm	187	154	197	199	180

¹ Up to hook center, without chain container



JDN HYDRAULIC HOISTS PROFI SERIES

PROFI 25 TI-H - PROFI 100 TI-H

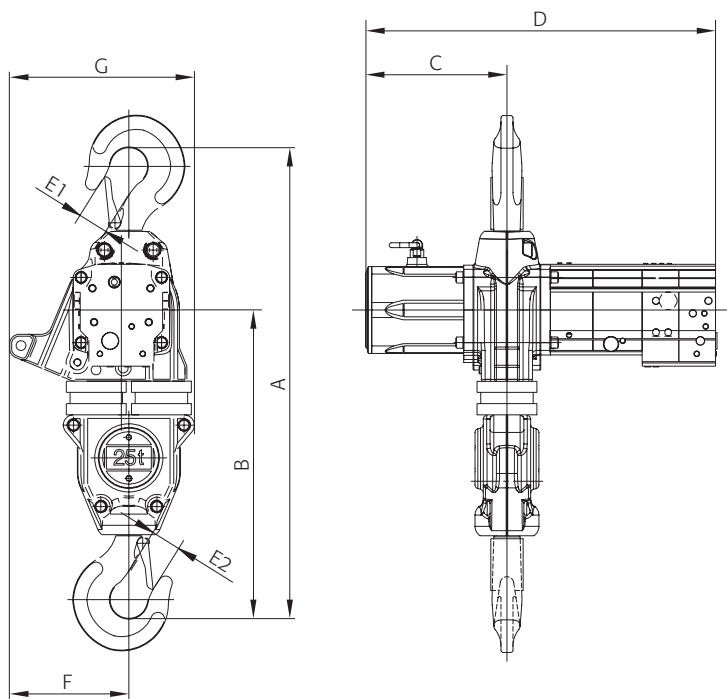
TECHNICAL DATA

Type		25 TI-H	37 TI-H	50 TI-H	100 TI-H
Capacity	mt	25	37.5	50	100
Number of chain strands		2	3	4	4
Motor output	kW	6	6	6	10
Motor type		KM 2/32	KM 2/32	KM 2/32	KM 2/40
Intake pressure	PSI Bar	2176 150	2176 150	2176 150	2611 180
Intake volume	cfm l/min	2.8 80	2.8 80	2.8 80	4.2 120
Lifting speed at rated load	ft/min m/min	3.6 1.1	2.1 0.7	1.5 0.5	1.4 0.4
Lifting speed without load	ft/min m/min	3.9 1.2	2.5 0.8	1.6 0.5	1.5 0.5
Lowering speed at rated load	ft/min m/min	3.9 1.2	2.5 0.8	1.6 0.5	1.5 0.5
Lowering speed without load	ft/min m/min	3.9 1.2	2.5 0.8	1.6 0.5	1.5 0.5
Connection		G 3/4	G 3/4	G 3/4	G 3/4
Hose dimension		DN 16	DN 16	DN 16	DN 16
Weight with standard lift with control	lbs kg	1282 583	2123 965	2068 940	5412 2460
Chain dimension	mm	23.5 x 66	23.5 x 66	23.5 x 66	31.5 x 90
Weight of chain	lbs/ft kg/m	8.2 12.2	8.2 12.2	8.2 12.2	14.3 21.3
Standard lift	ft m	10 3	10 3	10 3	10 3
Length of control with standard lift	ft m	6.5 2	6.5 2	6.5 2	6.5 2

DIMENSIONS

Type		25 TI-H	37 TI-H	50 TI-H	100 TI-H
A	inch. mm	50.5 1282	57.7 1466	66.9 1700	86.6 2200
B	inch. mm	37.3 948	36.8 935	45 1144	58.1 1475
C	inch. mm	15.5 393	14.8 377	17.4 442	27.8 705
D	inch. mm	42.1 1069	40.8 1037	48.6 1235	55.8 1417
E1	inch. mm	3 75	3.9 100	3.9 100	4.2 120
E2	inch. mm	3 75	3.9 100	3.9 100	4.2 120
F ¹	inch. mm	18.4 466	20.4 518	12.2 310	17.3 30.2
G	inch. mm	24 610	29.3 745	21.2 539	44.0 767

¹ Chain container increase the headroom



HYDRAULIC MONORAIL HOISTS EH 20-H - EH 100-H

TECHNICAL DATA

Type		EH 20-H	EH 25-H	EH 37-H	EH 50-H	EH 75-H	EH 100-H
Capacity	mt	20	25	37.5	50	75	100
Number of chain strands		4	2	3	4	3	4
Motor output – Trolley	kW	0.7	1.4	1.4	1.4	2.8	2.8
Motor output – Hoist	kW	3.5	6	6	6	10	10
Motor type – Trolley		KM1/16	KM1/16	KM1/16	KM1/16	KM1/16	KM1/16
Motor type – Hoist		KM1/8-KM1/16	KM 2/32	KM 2/32	KM 2/32	KM 2/40	KM 2/40
Intake pressure	PSI Bar	2320.6/1450 160/100	2176 150	2176 150	2176 150	2610 180	2610 180
Intake volume	cfm l/min	0.7/1.4 20/40	2.8 80	2.8 80	2.8 80	3 85	3 85
Lifting speed at rated load	ft/min m/min	2.6 0.8	4.9 1.1	3.3 0.7	2.3 0.5	3.28 0.5	2.6 0.4
Lifting speed without load	ft/min m/min	3 0.9	3.9 1.2	2.6 0.8	2 0.6	2 0.6	1.6 0.5
Lowering speed at rated load	ft/min m/min	3 0.9	3.9 1.2	2.6 0.8	2 0.6	2 0.6	1.6 0.5
Lowering speed without load	ft/min m/min	3 0.9	3.9 1.2	2.6 0.8	2 0.6	2 0.6	1.6 0.5
Travelling speed	ft/min m/min	39.4 12	39.4 12	39.4 12	39.4 12	39.4 12	39.4 3.5-12
Connection		G 1/2	G 3/4	G 3/4	G 3/4	G 3/4	G 3/4
Hose dimension		DN 12	DN 16	DN 16	DN 16	DN 16	DN 16
Weight with standard lift with control	lbs kg	1584 720	2310 1050	1550 3410	4136 1880	9020 4100	12760 5800
Chain dimension	mm	16 x 45	23.5 x 66	23.5 x 66	23.5 x 66	31.5 x 90	31.5 x 90
Weight of chain	lbs/ft kg/m	3.9 5.8	8.2 12.2	8.2 12.2	8.2 12.2	14.3 21.3	14.3 21.3
Standard lift	ft m	10 3	10 3	10 3	10 3	10 3	10 3
Length of control with standard lift	ft m	6.5 2	6.5 2	6.5 2	6.5 2	6.5 2	6.5 2

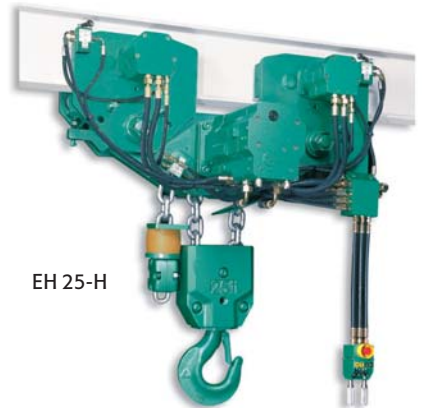
DIMENSIONS

Type		EH 20-H	EH 25-H	EH 37-H	EH 50-H	EH 75-H	EH 100-H
A	inch. mm	5.1 130	5.8 146	5.8 146	4.9 125	3.9 100	4.9 125
B	inch. mm	2.7 68	2.8 70	2.8 70	2.7 68	2.7 68	2.7 68
C	inch. mm	10.5 267	10.1 257	10.5 267	10.7 272	10.5 267	10.7 272
D	inch. mm	1.4 35	1 25	1 25	1.6 40	1.4 35	1.6 40
E	inch. mm	8.7 220	7.8 198	8.7 220	11.1 283	8.7 220	11.1 283
F ¹	inch. mm	32.3 820	39.3 998	42.1 1070	45.3 1150	58.3 1480	60.4 1535
G	inch. mm	7.9 200	6.7 170	7.5 190	16.5 420	11.3 286	22.6 575
H	inch. mm	3 75	3 75	3.9 100	3.9 100	4.7 120	4.7 120
J	inch. mm	10.5 266	13.8 350	17.9 455	13.4 340	29.1 740	18.5 470
K	inch. mm	23.6 600	46.7 1185	68.1 1730	66.1 1680	126.4 3210	123.2 3130
L	inch. mm	14.5 367	14.8 377	14.8 377	18.2 462	25.2 640	30 762
M	inch. mm	16.5 419	22.1 562	22.1 562	27.0 687	26.4 670	30.1 765

¹ Chain container increase the headroom



EH 20-H



EH 25-H

