



Maverick™ MultiPro™ Multi Volt, Multi Amp Opportunity Charger

Maverick MultiPro Multi Volt, Multi Amp Opportunity Charger using Insulated Gate Bipolar Transistors (IGBT), returns more energy at a lower cost than low frequency opportunity chargers. It has a very high power factor and is one of the most efficient chargers available, resulting in the lowest operating cost.

Additionally, the MultiPro automatically determines battery voltage and adjusts its output accordingly and has lower battery heating due to a very low ripple current.

These features combined with a full two-year warranty, make the Maverick line of High Frequency Chargers the absolute best value in the marketplace.

Features & Benefits

- Delayed start from fifteen minutes to four hours in fifteen minute intervals
- Equalize can be done manually, automatically with daytime setting, or every five cycles
- Automatic refresh charge every 24 hours
- Programmable charge block out time (peak demand electrical cost control)
- Remote Control Interface for use when mounted above arms reach
- Auto start with five second delay
- Selectable start rate of 18 or 25 Amp per 100 Amp Hour
- Cool down time displayed
- Programmable voltage and amp hour capability
- Quickly determines battery voltage without any peripheral devices (AES proprietary battery integration algorithm)

Automatic Shutdown for the following:

- 80% or final charge exceeds time limit
- Maximum battery temperature exceeded with optional sensor
- Volts per cell outside safe limits
- Charger internal temperature outside of specification
- Charging current too high or too low

Digital Readout Display:

- Time remaining to 80% charge
- Charge current/voltage
- Equalize in process
- Fault codes
- Charge data twenty five cycles (time, AH returned and Voltage)
- Charger setup

LED Charge Status Indicators:

- Gas gauge
- Charging
- 80% charged
- Charge complete
- Equalize
- Fault shutdown

Options

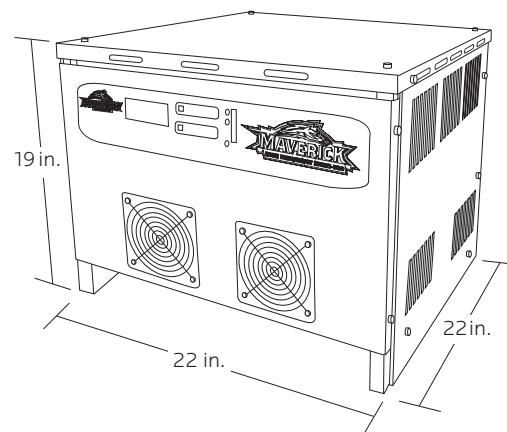
- Battery electrolyte temperature sensor
- Wall mount
- Remote control box
- Stackable with no brackets required
- Custom output cable lengths up to 20 ft max
- Weight: Approx.150 lbs. (depending on model size)

Product Safety

- UL Listed
- AC Specifications three phase 480 VAC
- UL Listed to Canadian Safety Standards

Warranty Details

See warranty certificate. CAUTION: disconnecting the battery from the charger during the charge cycle without manually stopping the charger can cause damage to both operator and equipment and void the warranty.



THE POWER OF EXCELLENCE



Tel: 585-538-4421 One Technology Place
800-836-2132 Caledonia, New York 14423
Fax: 585-538-6345 www.AppliedEnergySol.com

MAVERICK™ CHARGERS

Go green with Maverick high frequency, and high efficiency battery chargers. The Mavericks minimize the amount of power drawn, giving users of electric utility vehicles real cost savings, reduced CO2 emissions and additional power capacity. All of the Maverick products are designed to provide excellent re-charging with the minimal consumption of energy.



MAVERICK
HIGH FREQUENCY
OPPORTUNITY CHARGER



MAVERICK
CONVENTIONAL
CHARGER



MAVERICK
HIGH FREQUENCY
MULTI AMP MULTI-PRO™

THE POWER OF EXCELLENCE



Tel: 585-538-4421 One Technology Place
800-836-2132 Caledonia, New York 14423
Fax: 585-538-6345 www.AppliedEnergySol.com



Maverick™ High Frequency Conventional Charger

The Maverick High Frequency Conventional Charger, using Insulated Gate Bipolar Transistors (IGBT), returns more energy at a lower cost than low frequency conventional chargers.

It has a high power factor and is one of the most efficient chargers available, resulting in the lowest operating cost. Additionally, its design allows for lower battery heating due to a very low ripple current.

These features, combined with a full two-year warranty, make the Maverick line of high frequency chargers the absolute best value in the market.

Features & Benefits

Delayed start from fifteen minutes to two hours in fifteen minute intervals

Equalize can be done manually every five cycles

Automatic refresh charge every 12 hours

Remote Control Interface for use when mounted above arms reach

Auto start with five second delay

Automatic Shutdown for the following:

- 80% or final charge exceeds time limit
- Volts per cell outside safe limits
- Charging current too low
- Charger internal temperature outside of specification

Digital Readout Display:

- Charge current/voltage
- Equalize in process
- Fault codes

LED Charge Status Indicators:

- Gas gauge
- Charging
- 80% charged
- Charge complete
- Equalize
- Fault shutdown

Options

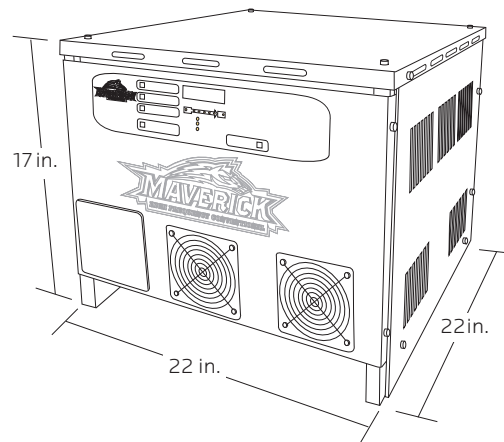
- Wall mount
- Remote control box
- Stackable with no brackets required
- Custom output cable lengths up to 20 ft max
- Weight: Approx.150 lbs. (depending on model size)

Product Safety

- UL Listed
- AC Specifications three phase 480 VAC
- UL Listed to Canadian Safety Standards

Warranty Details

See warranty certificate. CAUTION: disconnecting the battery from the charger during the charge cycle without manually stopping the charger can cause damage to both operator and equipment and void the warranty.



Maverick™ High Frequency Opportunity Charger

The Maverick High Frequency Opportunity Charger, using Insulated Gate Bipolar Transistor (IGBT), returns more energy at a lower cost than low frequency opportunity chargers. It has a very high power factor and is the most efficient charger available, resulting in the lowest operating cost.

Additionally, its design allows for lower battery heating due to a very low ripple current.

These features combined with a full two-year warranty, make the Maverick line of High Frequency Chargers the absolute best value in the marketplace.

Features & Benefits

No battery modifications are required

Includes the TCC 2.0 Controller:

- Delayed start form fifteen minutes to four hours in fifteen minute intervals
- Equalize can be done manually, automatically with day/time setting, or every five cycles
- Automatic refresh charge every 24 hours
- Programmable charge block out time (peak demand electrical cost control)
- Programmable charge termination when battery voltage reaches the gassing point, to prevent excessive gassing
- Remote Control Interface for use when mounted above arms reach
- Auto start with five second delay
- Selectable start rate of 18 or 25 Amp per 100 Amp Hour

Cool down time displayed

Manual jump start for over-discharged batteries

Automatic Shutdown for the following:

- 80% or final charge exceeds time limit
- Volts per cell outside safe limits
- Charging current too high or too low
- Maximum battery temperature exceeded with optional sensor
- Charger internal temperature outside of specification

Digital Readout Display:

- Time remaining to 80% and full charge
- Charge current/voltage
- Equalize in process
- Fault codes
- Charge data twenty five cycles (time, AH returned and voltage)
- Charger setup

LED Charge Status Indicators:

- Gas gauge
- Charging
- 80% charged
- Charge complete
- Equalize
- Fault shutdown

Options

- Battery electrolyte temperature sensor
- Wall mount
- Remote control box
- Stackable with no brackets required
- Custom output cable lengths up to 20 ft max
- Weight: Approx.150 lbs. (depending on model size)

Product Safety

- UL Listed
- AC Specifications three phase 480 VAC
- UL Listed to Canadian Safety Standards

Warranty Details

See warranty certificate. CAUTION: disconnecting the battery from the charger during the charge cycle without manually stopping the charger can cause damage to both operator and equipment and void the warranty.

