

WORKHORSE SERIES™
YOUR CHOICE FOR HORSE POWER
FOR THE LONG HAUL.

*This family of dependable, heavy duty industrial chargers,
features ferroresonant technology for single,
dual and multi-shift applications.*



THE POWER OF EXCELLENCE



Tel: 585-538-4421

800-836-2132

Fax: 585-538-6345

One Technology Place
Caledonia, New York 14423

www.AppliedEnergySol.com



Workhorse Series I™

Rugged, single-shift capacity charger where consistency, reliability and efficiency are key factors without the pressure of recharge time.

Features & Benefits

Fully integrated microprocessor control for automatic volt/time termination

Selectable refresh charge for 30 minutes every 24 hours

Ten to sixteen hours charge time.

Auto start with five second delay

Selectable one hour time delay

Memory retention during AC power loss

Automatic shutdown for the following conditions:

- 80% charge does not occur in twelve hours
- Volts per cell are too high or too low
- Charging current is too low

- Battery cable is disconnected while charging

CAUTION: DISCONNECTING THE BATTERY FROM THE CHARGER DURING THE CHARGE CYCLE CAN CAUSE DAMAGE TO BOTH OPERATORS AND EQUIPMENT AND VOID THE WARRANTY

Ferroresonant tapered charge for optimum battery and charger life

Selectable 80% voltage of 2.37 or 2.45 volts per cell

Digital display for showing:

- Charge current
- Fault codes

Multi color LED, indicating: charging status, equalization mode and fault shutdown

Red push button for manual shutdown

Manual jump start for over-discharged batteries

Manual equalize button.

Supplied with seven foot AC line cord and plug

(line cord not provided on 12A750, 18A450, 18A600, 18A750, 24A600 @120V AC)

Ten foot long output cables for added flexibility

Numerous Output connectors available as standard

Options

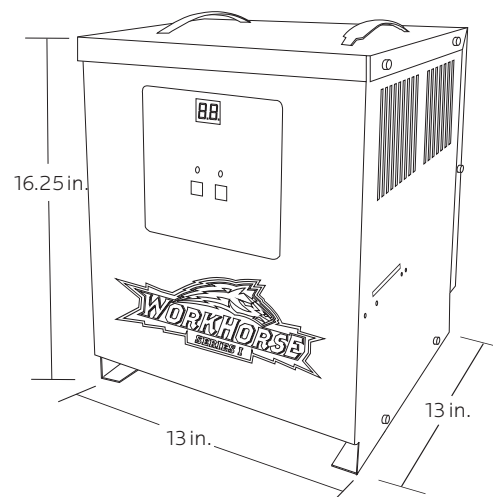
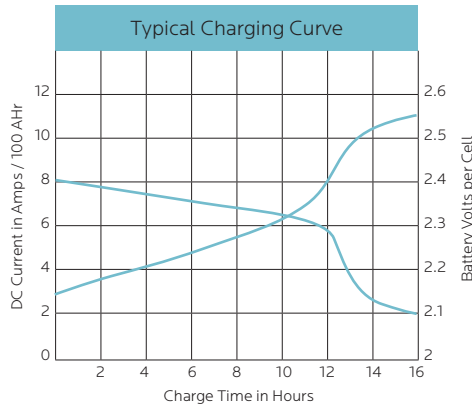
- Wall mount brackets available

Product Safety

- UL Listed
- UL listed to Canadian Safety Standards

Warranty Details

See warranty certificate for information





Workhorse Series II™

The most dependable dual-shift charger on the market. Fully recharges a normally depleted lead acid battery in eight hours or less.

Features & Benefits

Fully integrated microprocessor control for automatic dv/dt - di/dt termination

Interface jack for remote control and monitoring options

Automatic refresh charge every twelve hours

Charge time of eight hours or less on a normally discharged battery

Auto start with five second delay

Selectable delayed start from one to nine hours

Battery protection with override timers, wrong battery sensing and negative charge slope termination

Automatic shutdown for the following conditions:

- 80% charge does not occur in nine hours
 - Final charge is not reached six hours after 80% (gassing point)
 - Volts per cell are too high or too low
 - Charging current is too low
 - Battery cable is disconnected while charging
- CAUTION: DISCONNECTING THE BATTERY FROM THE CHARGER DURING THE CHARGE CYCLE WITHOUT MANUALLY STOPPING THE CHARGER CAN CAUSE DAMAGE TO BOTH OPERATORS AND EQUIPMENT AND VOID THE WARRANTY

Ferroresonant tapered charge for optimum battery and charger life

Selectable 80% voltage of 2.37 or 2.45 volts per cell

Four position digital display for showing;

- Charge current
- Equalize in process
- Fault diagnostics

Four LED indicators showing charge status including:

- Charging
- 80% Charged
- Charge Complete
- Fault Shutdown

Red push button for manual shutdown

Manual jump start for over-discharged batteries

Manual and or automatic equalization

Ten foot long output cables for added flexibility

Numerous output connectors available as standard

No brackets needed for stacking

Optional Features

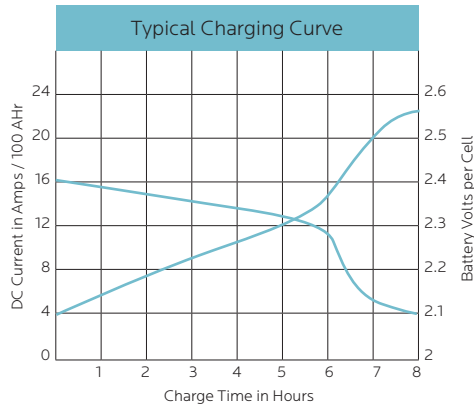
- Wall mount brackets available
- Remote control box available

Product Safety

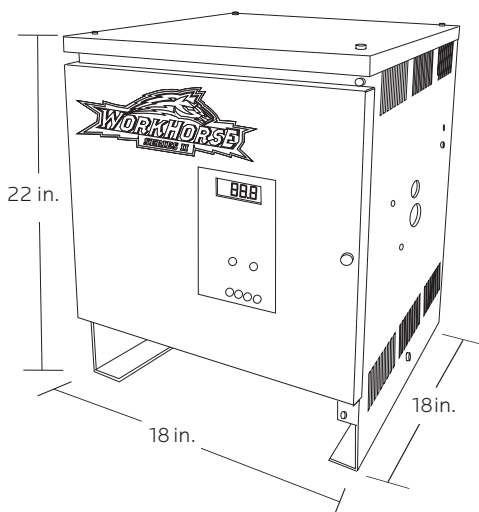
- UL Listed
- UL listed to Canadian Safety Standards

Warranty Details

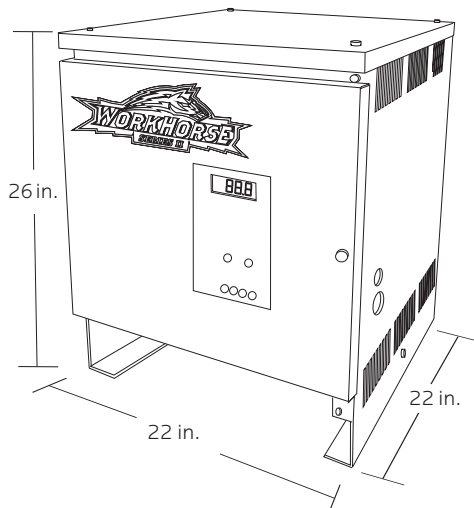
See warranty certificate for information.



Single phase



Three phase





Workhorse Series III™

The industry's most technologically advanced and dependable heavy-duty charger for multi-shift applications requiring a full battery recharge in less than eight hours.

Features & Benefits

Fully integrated microprocessor control for automatic dv/dt - di/dt termination

Interface jack for remote control and monitoring options

Automatic refresh charge every twelve hours

Charge time of eight hours or less on a fully discharged battery

Auto start with five second delay

Selectable delayed start from one to nine hours

Battery protection with override timers, wrong battery sensing and negative charge slope termination

Automatic shutdown for the following conditions:

- 80% charge does not occur in nine hours
 - Final charge is not reached six hours after 80% (gassing point)
 - Volts per cell are too high or too low
 - Charging current is too low
 - Battery cable is disconnected while charging
- CAUTION: DISCONNECTING THE BATTERY FROM THE CHARGER DURING THE CHARGE CYCLE WITHOUT MANUALLY STOPPING THE CHARGER CAN CAUSE DAMAGE TO BOTH OPERATORS AND EQUIPMENT AND VOID THE WARRANTY**

Ferroresonant tapered charge for optimum battery and charger life

Selectable 80% voltage of 2.37 or 2.45 volts per cell

Four position digital display for showing;

- Charge current
- Equalize in process
- Fault diagnostics

LED test button

Charger data monitor button

- Provides AH returned
- Total charge time
- Average volts per cell

Cool down timer initiates at the end of charge

Red push button for manual shutdown

Manual jump start for over-discharged batteries

Manual and or automatic equalization

Ten foot long output cables for added flexibility

Numerous Output connectors available as standard

Optional Features

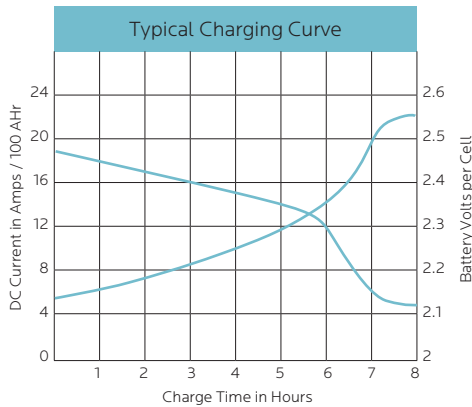
- Wall mount brackets available
- Remote control box available
- Real time clock control
- 50HZ models available
- Stacking brackets
- Series and parallel output cables available
- JIC switch

Product Safety

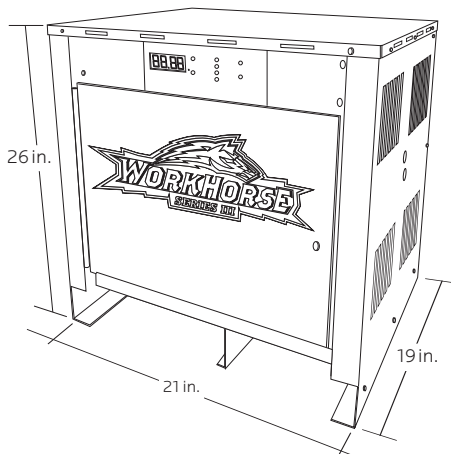
- UL Listed
- UL listed to Canadian Safety Standards

Warranty Details

See warranty certificate for information



Single phase



Three phase

