

WARHORSE™

MULTI CIRCUIT CHARGER

Compact multi-circuit charger fits more than one charger in a single cabinet to cut down on space requirements.



THE POWER OF EXCELLENCE



Tel: 585-538-4421

800-836-2132

Fax: 585-538-6345

One Technology Place

Caledonia, New York 14423

www.AppliedEnergySol.com



WarHorse™ Multi Circuit Charger

When space is a consideration, this unit incorporates more than one charger in a cabinet, cutting down the space required.

Features & Benefits

Fully integrated microprocessor control for automatic dv/dt di/dt termination

Available in popular ratings incorporating from two to six circuits in a common cabinet

Interface jack for remote control and monitoring options

Automatic refresh charge every twelve hours

Charge time of eight hours or less on a 100% discharged battery

Auto start with five second delay

Selectable delayed start from one to nine hours

Battery protection with override timers, wrong battery sensing and negative charge slope termination

Automatic shutdown for the following conditions:

- 80% charge does not occur in nine hours
- Battery cable is disconnected while charging

- Final charge is not reached in six hours after 80% (gassing point)

- Volts per cell are too high or too low
- Charging current is too low

CAUTION: DISCONNECTING THE BATTERY FROM THE CHARGER DURING THE CHARGE CYCLE WITHOUT MANUALLY STOPPING THE CHARGER CAN CAUSE DAMAGE TO BOTH OPERATORS AND EQUIPMENT AND VOID THE WARRANTY

Ferroresonant tapered charge for optimum battery and charger life

Selectable 80% voltage of 2.37 or 2.45 volts per cell

Four position digital display for showing:

- Charge current
- Equalize in process
- Fault diagnostics

Four LED indicators showing charge status including:

- Charging
- Charge complete
- 80% charged
- Fault shutdown

Red push button for manual shutdown

Manual jump start for over-discharged batteries

Manual and or automatic equalization

Ten foot long output cables for added flexibility

Multiple output connectors available as standard

Options

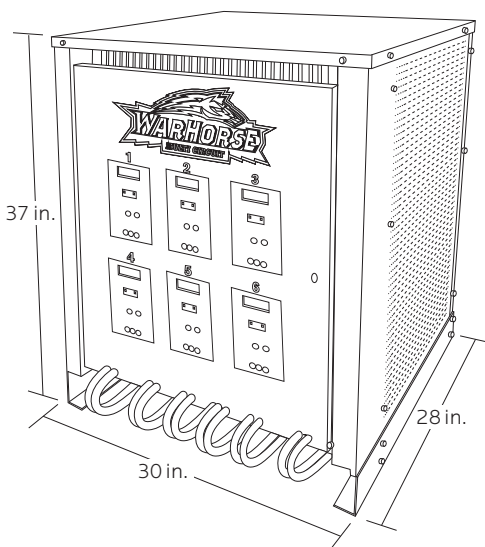
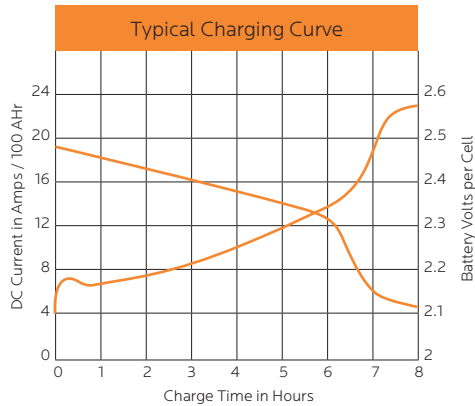
- Remote control box available

Product Safety

- UL Listed
- UL Listed to Canadian safety standards

Warranty Details

See warranty certificate for information



THE POWER OF EXCELLENCE



Tel: 585-538-4421

800-836-2132

Fax: 585-538-6345

One Technology Place

Caledonia, New York 14423

www.AppliedEnergySol.com