

PALOMINO™
ECONOMY CHARGER

The perfect combination of performance and economy.



THE POWER OF EXCELLENCE



Tel: 585-538-4421

800-836-2132

Fax: 585-538-6345

One Technology Place

Caledonia, New York 14423

www.AppliedEnergySol.com



Palomino™ Economy Charger

The perfect combination of performance and economy.

Features & Benefits

Automatic refresh charge every twelve hours

Charge time of eight hours or less on a normally discharged battery

Auto start with five second delay

Battery protection with override timers, wrong battery sensing and negative charge slope termination

Automatic shutdown for the following conditions:

- 80% charge does not occur in nine hours
 - Final charge is not reached in six hours after 80% (gassing point)
 - Volts per cell are too high or too low
 - Charging current is too low
 - Battery cable is disconnected while charging
- CAUTION: DISCONNECTING THE BATTERY FROM THE CHARGER DURING THE CHARGE CYCLE WITHOUT MANUALLY STOPPING THE CHARGER CAN CAUSE DAMAGE TO BOTH OPERATORS AND EQUIPMENT AND VOID THE WARRANTY

Four position digital display for showing:

- Charging
- 80% charged
- Charge complete
- Fault shutdown

Red push button for manual shutdown

Manual jump start for over-discharged batteries

Manual and or automatic equalization

Ten foot long output cables for added flexibility

Numerous output connectors available as standard

Options

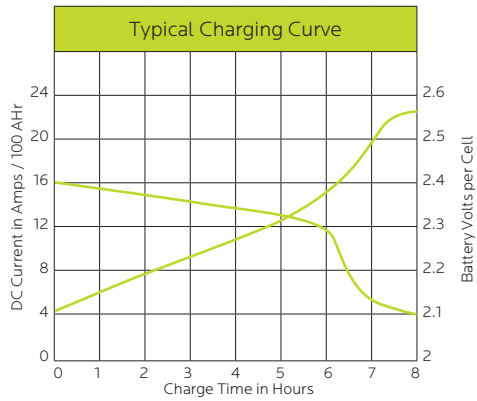
- Wall mount brackets available

Product Safety

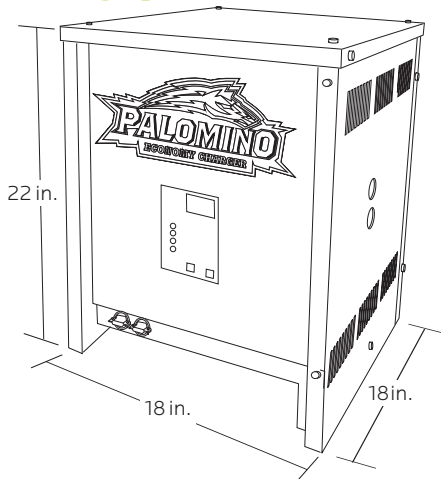
- UL Listed
- UL listed to Canadian Safety Standards

Warranty Details

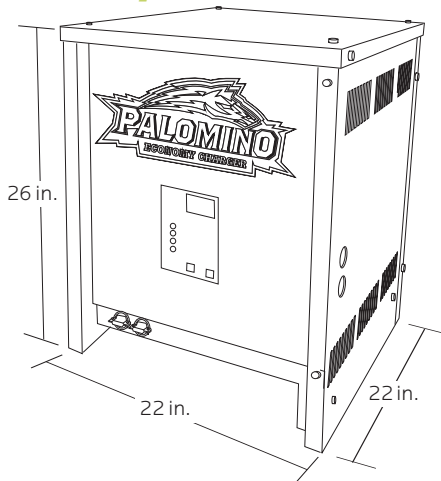
See warranty certificate for information.



Single phase



Three phase



THE POWER OF EXCELLENCE



Tel: 585-538-4421 One Technology Place
 800-836-2132 Caledonia, New York 14423
 Fax: 585-538-6345 www.AppliedEnergySol.com