

STABLEMATE™
CONSTANT CURRENT CHARGER

*Advanced multi-cell constant current charger excels
in battery shop, rental and loaner-type installations.*



THE POWER OF EXCELLENCE



Tel: 585-538-4421

800-836-2132

Fax: 585-538-6345

One Technology Place

Caledonia, New York 14423

www.AppliedEnergySol.com



StableMate™ Constant Current Charger

Due to its constant current technology, it is excellent for use in battery shop and loaner type situations

Features & Benefits

Fully integrated microprocessor control for dv/dt or elapsed time termination (Elapsed time selectable for 8, 12, 18, or 24 hours)

Charge over-discharged and sulfated batteries

Auto start with five second delay

Automatic shutdown for the following:

- Maximum or minimum cells are too high or too low
- Charging current is too low
- Battery cable is disconnected while charging
- Elapsed time timer expired

CAUTION: DISCONNECTING THE BATTERY FROM THE CHARGER DURING THE CHARGE CYCLE WITHOUT MANUALLY STOPPING THE CHARGER CAN CAUSE DAMAGE TO BOTH OPERATORS AND EQUIPMENT AND VOID THE WARRANTY

Ferroresonant constant current charge available in 25 amp or 50 amp output models

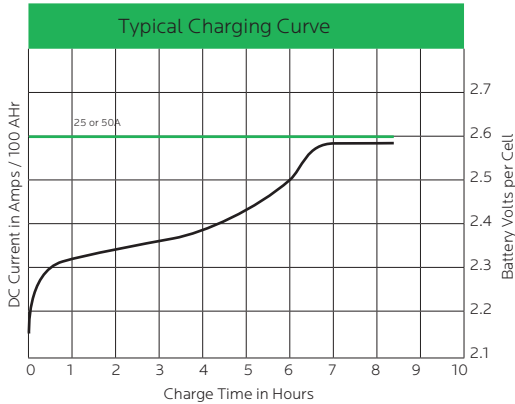
Multi color LED's indicating charging status, and fault shutdown

Red push button for manual shutdown

Manual elapsed timer button

Supplied with seven foot AC line cord with 20 amp connector (Hard wired on HV models only)

Eight foot long output cables with dual connectors (SB175 and SB350)

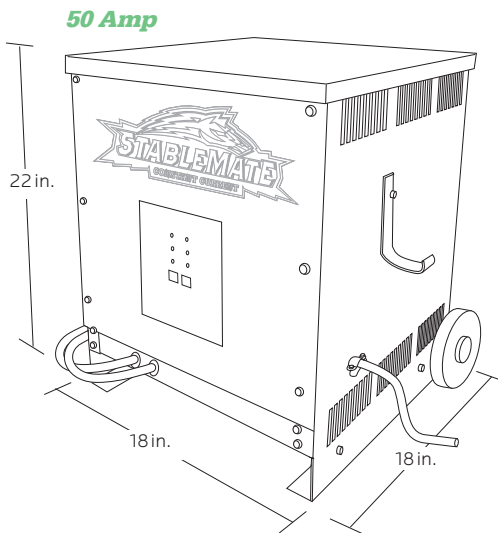
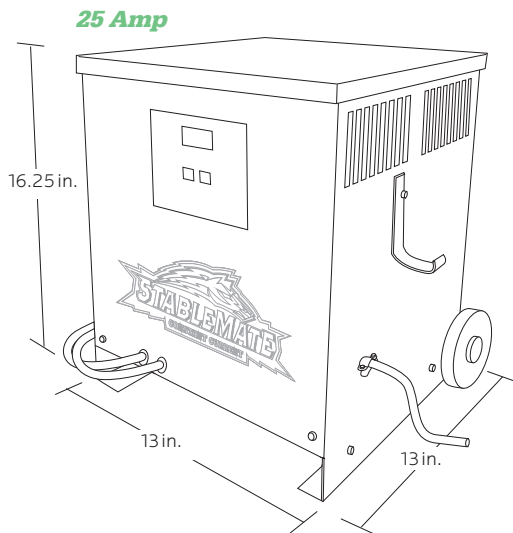


Product Safety

- UL Listed
- UL listed to Canadian Safety Standards

Warranty Details

See warranty certificate for information.



THE POWER OF EXCELLENCE



Tel: 585-538-4421

800-836-2132

Fax: 585-538-6345

One Technology Place

Caledonia, New York 14423

www.AppliedEnergySol.com