

**STEED™**

**COLD STORAGE CHARGER**

*Superior controlled output. Cold storage tough. Capable of recharging fully-depleted VRLA, AGM, and flooded batteries in eight hours or less.*



**THE POWER OF EXCELLENCE**



Tel: 585-538-4421

800-836-2132

Fax: 585-538-6345

One Technology Place

Caledonia, New York 14423

[www.AppliedEnergySol.com](http://www.AppliedEnergySol.com)



## Steed™ Cold Storage Charger

Here is the world's most advanced Ferroresonant battery charger. Designed for flooded and VRLA batteries. Rugged and cold storage tough. Provides total charge control. Returns 100% recharge in eight hours.

### Features & Benefits

Fully integrated and selectable microprocessor control for automatic termination depending upon the required profile specific to your battery needs for flooded and VRLA

Interface jack for remote control and monitoring options

Automatic refresh charge every twelve hours

Charge time of eight hours or less on a 100% discharged battery

Auto start with five second delay

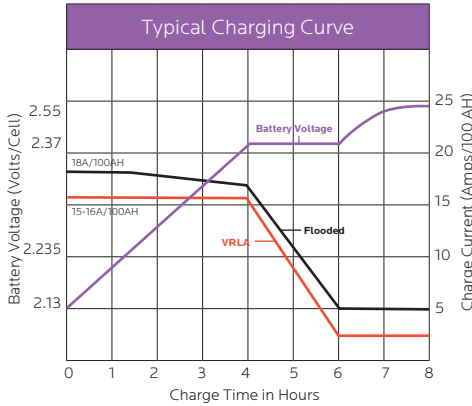
Selectable delayed start from one to nine hours, in one hour increments

Battery protection with override timers, wrong battery sensing & negative charge slope termination

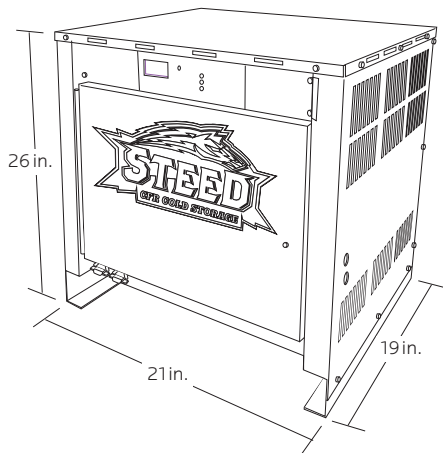
Automatic shutdown for the following conditions:

- 80% charge does not occur in nine hours
- Final charge is not reached six hours after 80% (gassing point)
- Volts per cell are too high or too low
- Charging current is too low
- Battery cable is disconnected while charging

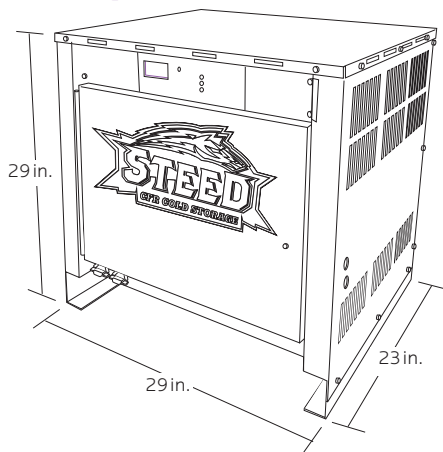
CAUTION: DISCONNECTING THE BATTERY FROM THE CHARGER DURING THE CHARGE CYCLE WITHOUT MANUALLY STOPPING THE CHARGER CAN CAUSE DAMAGE TO BOTH OPERATORS AND EQUIPMENT AND VOID THE WARRANTY



### Single phase cabinet



### Three phase cabinet



Advanced ferroresonant technology for total charge control over the complete charging cycle, for both flooded and VRLA batteries

Four selectable charge profiles

Four position digital display for showing:

- Charge current
- Equalize in process
- Fault diagnostics

Four LED indicators showing charge status including:

- Charging
- 80% charged
- Charge complete
- Fault shutdown

LED test button

Charge data monitor button provides AH returned, total charge time, average volts per cell

Cool down timer initiates at the end of charge

Red push button for manual shutdown

Manual jump start for over-discharged batteries

Manual and or automatic equalization

Ten foot long output cables for added flexibility

Numerous output connectors available as standard

### Options

- Wall mount brackets available
- Remote Control Box available

### Product Safety

- UL Listed
- UL listed to Canadian Safety Standards

### Warranty Details

See warranty certificate for information.

**THE POWER OF EXCELLENCE**



Tel: 585-538-4421

800-836-2132

Fax: 585-538-6345

One Technology Place

Caledonia, New York 14423

www.AppliedEnergySol.com