

**BATTERY INFORMATION
TRANSMITTER™**

The BIT monitors the battery performance, health and adverse operating conditions over entire battery life, all critical information that helps maintain top performance and reduce downtime.



THE POWER OF EXCELLENCE



Tel: 585-538-4421

800-836-2132

Fax: 585-538-6345

One Technology Place

Caledonia, New York 14423

www.AppliedEnergySol.com



Battery Information Transmitter™

The Battery Information Transmitter monitors battery performance, health, and adverse operating conditions over entire battery life.

Features & Benefits

Wireless RF communication

Monitors critical parameters including:

- Electrolyte temperature
- Low electrolyte level (time stamp)
- Voltage (minimum and maximum, time stamp)
- Current (maximum, time stamp)
- AH (charge, discharge)
- Events (charge, discharge, open, start time, and duration)
- AH total throughout

Factory or field programmable

Fully encapsulated case to resist impact, and liquid contamination

Compact size will not interfere with battery watering, removal, or lid closure

Fits between inter-cell connectors

PC Application (sold separately)

Easy to use graphical interface (charts, graphs)

Summary data for entire battery population

Small communication device plugs into USB port to download/setup battery devices

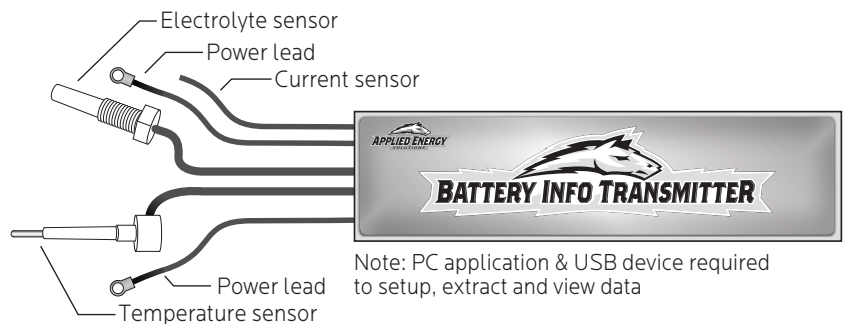
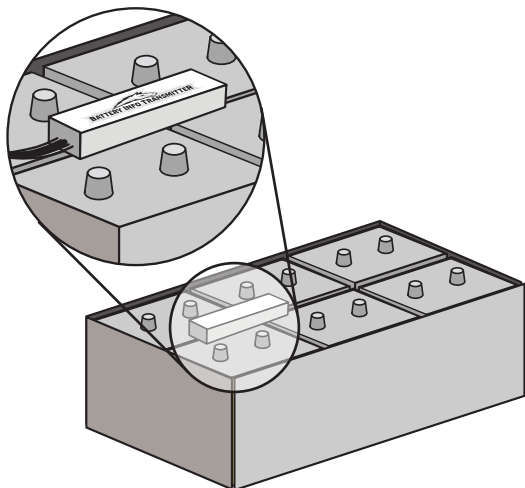
Selectable and configurable alarms:

- Over/under voltage
- Over current
- Low water
- Over temperature

Data can be exported for use with spreadsheet programs

Warranty Details

See warranty certificate.



THE POWER OF EXCELLENCE



Tel: 585-538-4421

800-836-2132

Fax: 585-538-6345

One Technology Place

Caledonia, New York 14423

www.AppliedEnergySol.com