

MAVERICK™ HIGH FREQUENCY FAST CHARGER

More energy efficient than low frequency opportunity chargers, with a .95 full load power factor. The Maverick High Frequency Fast Charger delivers a reduced battery recharge temperature, due to low ripple current.



THE POWER OF EXCELLENCE



Tel: 585-538-4421

800-836-2132

Fax: 585-538-6345

One Technology Place

Caledonia, New York 14423

www.AppliedEnergySol.com



Maverick™ High Frequency Fast Charger

The Maverick High Frequency Fast Charger, using Insulated Gate Bipolar Transistor (IGBT), returns more energy at a lower cost than low frequency opportunity chargers. The Maverick High Frequency Fast Charger returns charge in a shorter time than other HF chargers. It has a very high power factor and is the most efficient charger available, resulting in the lowest operating cost.

Additionally, its design allows for lower battery heating due to a very low ripple current.

Features & Benefits

No battery modifications are required

Includes the TCC 2.0 Controller:

- Delayed start from fifteen minutes to four hours in fifteen minute intervals
- Equalize can be done manually, automatically with day/time setting, or every five cycles
- Automatic refresh charge every 24 hours
- Programmable charge block out time (peak demand electrical cost control)
- Programmable charge termination when battery voltage reaches the gassing point, to prevent excessive gassing
- Remote Control Interface for use when mounted above arms reach
- Auto start with five second delay
- Start rate of 31-40 amp per 100 amp hour, rate application dependent

Cool down time displayed

Manual jump start for over-discharged batteries

Automatic Shutdown for the following:

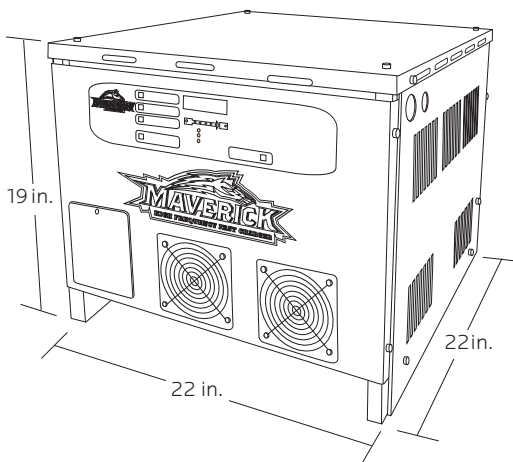
- 80% or final charge exceeds time limit
- Volts per cell outside safe limits
- Charging current too high or too low
- Maximum battery temperature exceeded with optional sensor
- Charger internal temperature outside of specification

Digital Readout Display:

- Time remaining to 80% and full charge
- Charge current/voltage
- Equalize in process
- Fault codes
- Charge data twenty five cycles (time, AH returned and voltage)
- Charger setup

LED Charge Status Indicators:

- Gas gauge
- Charging
- 80% charged
- Charge complete
- Equalize
- Fault shutdown



Options

- Battery electrolyte temperature sensor
- Wall mount
- Remote control box
- Stackable with no brackets required
- Custom output cable lengths up to 20 ft max
- Weight: Approx. 150 lbs (depending on model size)
- Recommended for use with temperature probe

Product Safety

- UL Listed
- AC Specifications three phase 480 VAC
- UL Listed to Canadian Safety Standards

Warranty Details

See warranty certificate. CAUTION: disconnecting the battery from the charger during the charge cycle without manually stopping the charger can cause damage to both operator and equipment and void the warranty.

THE POWER OF EXCELLENCE



Tel: 585-538-4421 One Technology Place
 800-836-2132 Caledonia, New York 14423
 Fax: 585-538-6345 www.AppliedEnergySol.com