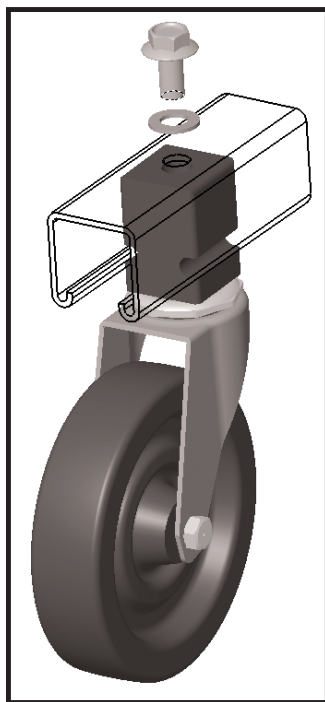


U-CHANNEL STRUT-MOUNT CASTERS

STANDARD FEATURES

- Cold-formed steel construction
- Double row swivel construction
- Delrin wheel bearings
- Polypropylene strut fitting



These casters are used to mobilize equipment built with strut channel. Casters have a specially designed polypropylene stem that slides into 1 $\frac{5}{8}$ " x 1 $\frac{5}{8}$ " 12 or 14 gauge slotted strut. Available in both swivel and rigid styles. Various wheel types are available with load ratings up to 250 Lbs.

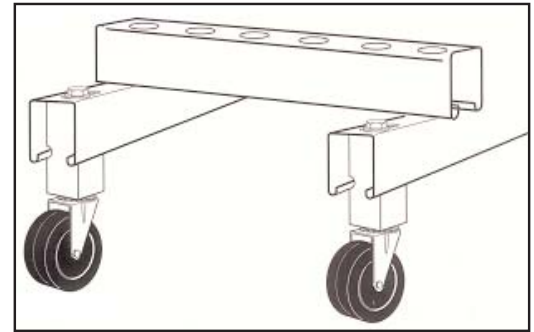
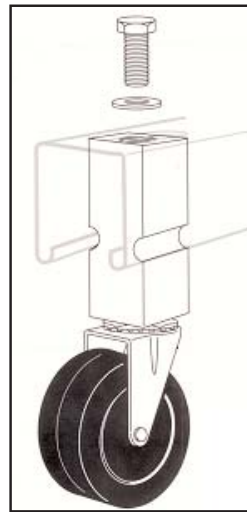


- PATENT PENDING -

**Driven
to Exceed
Expectations**

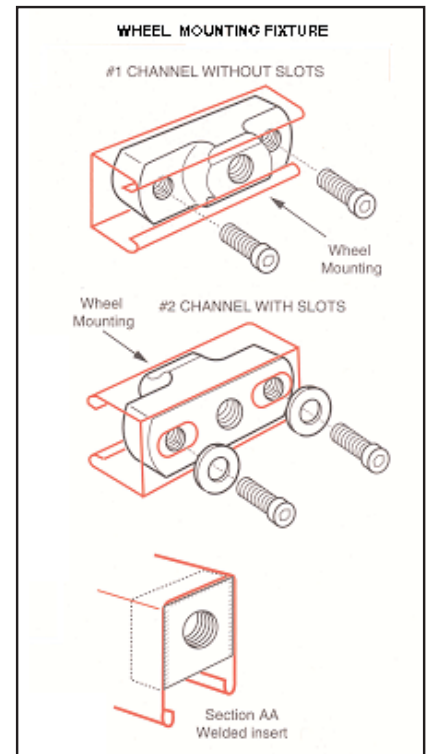
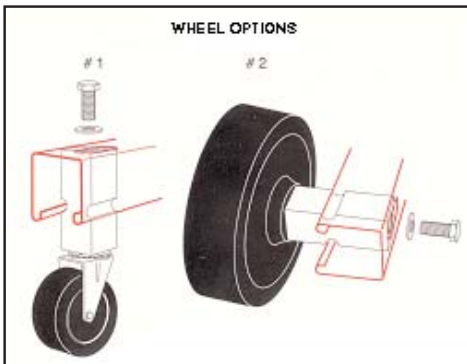
800-558-0117

www.erwagner.com



Wheel Dia. (Inches)	Load Capacity (Lbs.)	Wheel Bearing	Overall Height (In.)	Swivel Radius (In.)	Approximate Weight (Lbs.)†	Swivel Part Number	Rigid Part Number	
All Natural Soft Rubber Wheel (All Black)								
3	1 1/4	155	Delrin	4 11/16	2 7/8	1 1/2	4S0762BLZEUKXXX	4R0762BLZEUKXXX
† Weight represents a swivel caster (Rigid will be 0.2 lb. less).								

Other wheel selections are available. Please consult factory



**Driven
to Exceed
Expectations**

800-558-0117

www.erwagner.com