

MODEL 350 LABEL PRINTER APPLICATOR



High Speed Electric Label Printer

The ID Technology 350 is a high speed electric tamp style label printer applicator capable of printing and applying a label to the top of variable height boxes and cartons. Using a servo based rack/gear actuator for faster throughput; the 350 can label boxes varying in height up to 40 inches at speeds up to 55 cases per minute.

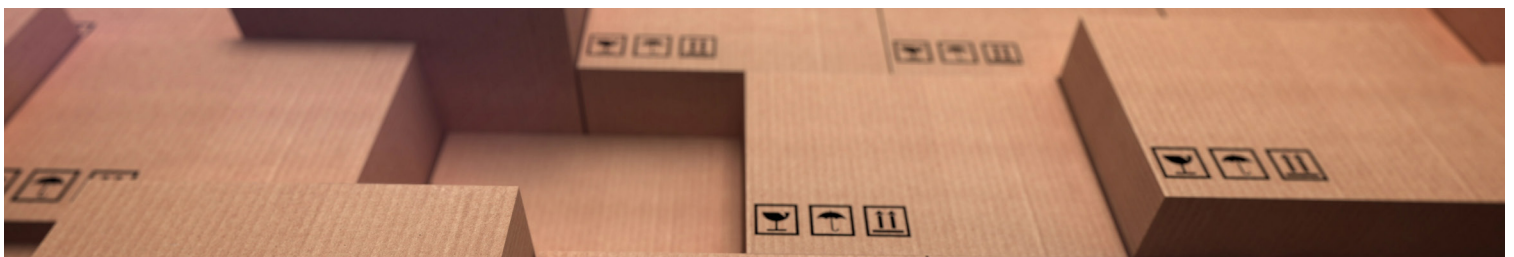
The 350 is easy to install and integrate with a discrete, Ethernet/IP or Modbus TCP interface. Designed and built on the Centerline-Modularity™ concept, the unit is both rugged and modular. A standard 14.5" OD unwind allows for longer label rolls and less downtime. To prevent label sticking the 350 is fitted with a plasma coated air assist tube. Crash Detect and Smart-Tamp sensors are also standard. Left hand or right hand models are available with a choice of Zebra, Sato or Datamax print engines.

FEATURES AND BENEFITS

- Innovative Centerline-Modularity™ Design
- Up to 40" Variance in Product Height
- Up to 55 Cases per Minute
- Discrete, Ethernet/IP or Modbus TCP Interface
- 14.5" OD Label Unwind
- Crash Detect and Smart-Tamp Sensors Standard

PRODUCT

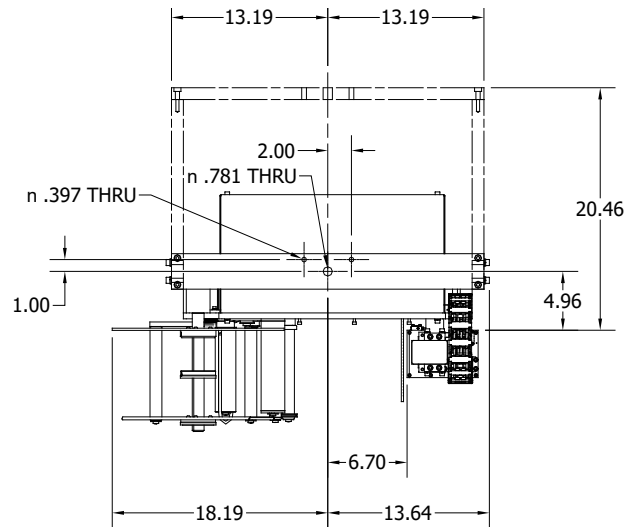
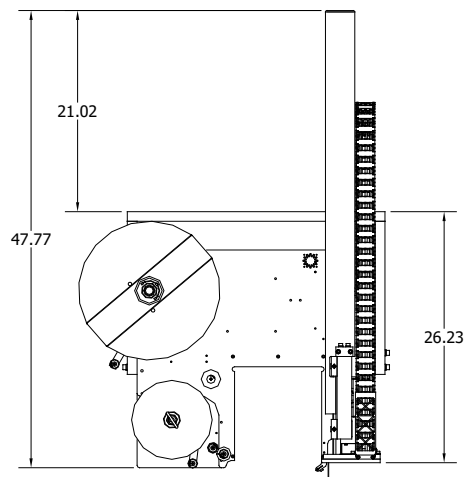
The ID Technology 350 applies labels to the tops of variable height boxes and cartons.



TYPICAL PRODUCT SPECIFICATIONS

Electrical	110 VAC, 15A, 60Hz input power
Air Requirements	Clean air at 80psi min. to 120psi dependent upon the application method and rate
Label Roll Size	14" (OD) x 3" (ID)
Standard Label Size	.25" Minimum Width, 4"x8" Maximum (see print engine data sheet)

Label Style	Die cut, waste removed, outside wound, with 1/8th minimum gap in the running direction
--------------------	--

CONFIGURATION

OPTIONS

- Choice of Print Engines
 - Sato, Zebra or Datamax (see print engine data sheet)
- Printer Communications
 - Parallel, RS232, RS422/485, USB or Ethernet (see print engine data sheet)
- Control Communications
 - Ethernet/IP or Modbus TCP

INTEGRATION

The ID Technology 350 is designed to integrate with your warehouse automation material handling system and is available from leading automation integrators.

Once installed, the 350 is controlled via the warehouse execution software, with no operator intervention needed.

The ID Technology 350 offers a modular, easily integrated design.