



# INDUSTRIAL ELECTRIC HEIGHT ADJUSTABLE

INDUSTRIAL

BASE FRAMES

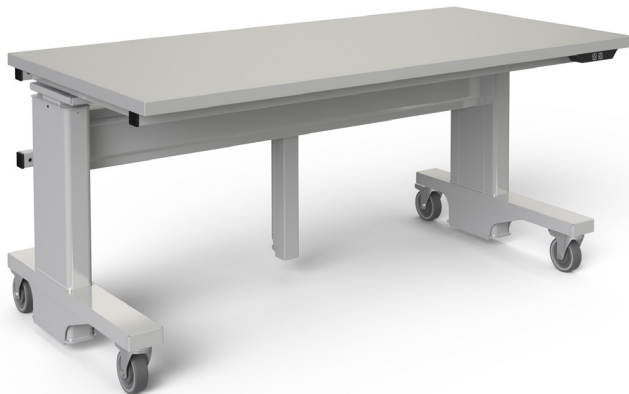


## Cantilevered Workstation

Best for multiple-operator, multiple-shift applications. Designed to support 5th to 95th percentile operators in a sitting or standing posture. Work surface height is easily adjustable at the touch of a button. A rear fixing frame provides stable support for single, double or triple bay uprights to hold bin rails, shelving, lighting and other accessories.

### FEATURES:

- Cantilevered style leg ensures ample leg room
- Adjusts 28" to 44" without work surface
- Medium Duty (PB) includes self-contained linear actuator with integral limit switches, 24 VDC low voltage control
- Heavy Duty (PBH) includes dual-synchronized linear actuators with integral limit switches, 24 VDC low voltage control
- Supports [ADA compliance](#)
- Gray epoxy powder coat finish  
*(Additional colors available)*
- [Feet or casters, work surface and accessories](#) ordered separately



Load Capacity | MEDIUM DUTY  
500 lbs



Load Capacity | HEAVY DUTY  
1,200 lbs

### BUILD YOUR PART NUMBER

Medium Duty: PB

Heavy Duty: PBH

Available in depths: 24" | 30" | 36"

Available in widths: 30" | 36" | 48" | 60" | 72" | 84" | 96"

*Additional sizes available upon request*

# PB2460

Pre Fix

Depth & Width  
(based on work surface size)

CONTACT US | 989-496-9510

**BOSTONtec**





# INDUSTRIAL ELECTRIC HEIGHT ADJUSTABLE

INDUSTRIAL

BASE FRAMES



## Center-Justified Workstation

Created for applications requiring access from both sides of the table. Best for multiple-operator and multiple-shift applications. Designed to support 5th to 95th percentile operators in either a sitting or standing posture. Work surface height is easily adjustable at the touch of a button. This frame does not support uprights.

### FEATURES:

- Center-justified style leg
- Adjusts 28" to 44" without work surface
- Medium Duty (PBC) includes self-contained linear actuator with integral limit switches, 24 VDC low voltage control
- Heavy Duty (PBHC) includes dual-synchronized linear actuators with integral limit switches, 24 VDC low voltage control
- Supports [ADA compliance](#)
- Gray epoxy powder coat finish  
*(Additional colors available)*
- [Feet or casters](#), [work surface](#) and [accessories](#) ordered separately



Load Capacity | MEDIUM DUTY  
500 lbs



Load Capacity | HEAVY DUTY  
1,200 lbs

### BUILD YOUR PART NUMBER

Medium Duty: PBC

Heavy Duty: PBHC

Available in depths: 30" | 36" | 48"

Available in widths: 30" | 36" | 48" | 60" | 72" | 84" | 96"

Note: 48" depth tables have widths available starting at 60"

Additional sizes available upon request

# PBC2460

Pre Fix

Depth & Width  
(based on work surface size)

CONTACT US | 989-496-9510

BOSTONtec

