

Stationary Pallet Changer (SPC)

A stationary pallet changer is used for transferring goods from wooden pallets to plastic pallets or vice-versa. It is a cost-effective and efficient way to transfer goods from one load carrier to another. When used in combination with a load-push attachment on a forklift, goods that were originally stored on wooden pallets can be transported without any load carrier. By using a push-pull attachment instead of load pusher it is also possible to transport the goods on slip sheets.



The stationary pallet changer is mainly used in industries where some products, i.e. liquids, cannot be inverted as this would cause problems with validation or in industries where goods are packed in fragile packaging materials. The pallet changer is often placed within a receiving area where inbound goods can quickly be transferred to captive pallets, typically plastic or aluminum pallets, and the wooden pallets can then be isolated from the rest of the facility for sanitary reasons, (i.e. food processing, pharmaceuticals, etc...). The pallet changer allows companies currently using manual labor to drastically reduce operational costs and avoid injury risks and it provides an affordable alternative to more complex transfer systems.

Features compared to pallet inverters

- Improved handling speed
- No clamping of goods
- No inversion of load
- Simple construction
- Less maintenance because of no rotation parts
- Speed reduction for end positions
- Remote controlled
- Plug & play

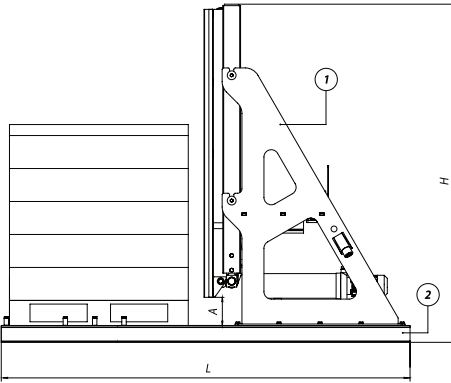
Options:

- Stainless steel construction
- Safety circuit category like CAT3/PLe
- Can be transported in four separate components



For single stacked goods the stationary pallet changer can also push the product onto the mechanical ROLLERFORKS® and or Push/Pull.

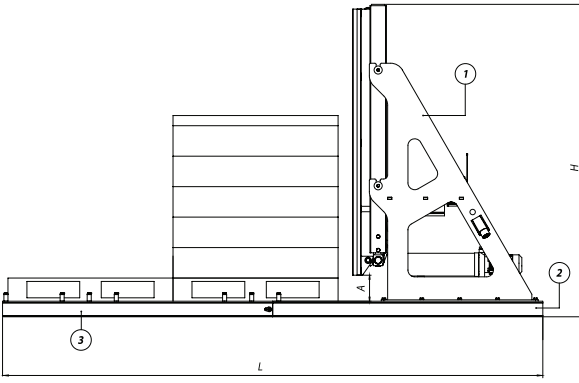
Specifications and options



SPC20/1220/S

Loading capacity	4,400 lbs
Dimensions (l x h x w)	109.3" x 47.2" x 90.9"
Power supply	3ph/400V/16A
Total weight	3,025 lbs
Circle time	7 sec
Application	in combination with load push or Push/Pull

- Smaller or larger models can be custom-built.



SPC20/1220/D

Loading capacity	4,400 lbs
Dimensions (l x h x w)	157.1" x 47.2" x 90.9"
Power supply	3ph/400V/16A
Total weight	3,476 lbs
Circle time	7 sec
Application	transferring pallets

- Smaller or larger models can be custom-built.

The Stationary Pallet Changer can be used in combination with:

Load Push



Push/Pull



ROLLERFORKS®



ISO 9001-2008

Quality management for development and production.

ISO 2328

Dimensions and tolerance of suspension.

CE

European guideline for machines (2006/42/EC), forks have a safety factor of three times rated capacity.



MSE-FORKS, Inc.
 131 Franklin Plaza, Suite 335,
 Franklin, NC 28734
 Tel: (828) 349-9619
 www.mse-forks-inc.com
 info@mse-forks-inc.com

MSE-FORKS B.V.
 Oudebildtdijk 894
 9079NG Sint Jacobiparochie
 Tel: +31 (0) 518 49 29 29
 www.mse-forks.com
 info@mse-forks.com