

DEFINING RUGGED

NEW

EXCEPTIONAL ENGINEERING | ROCK SOLID | EXTENSIVE TESTING



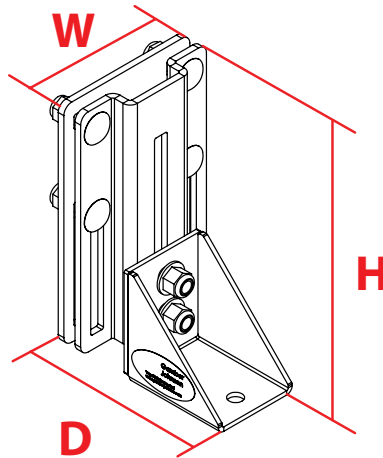
FORKLIFT MOUNT: SINGLE LIGHT BRACKET

Placement	Tilt	Weight	Height	Width	Depth
Attaches directly to the top of the overhead guard	No	3.80 lbs.	7.40"	4.0"	4.80"

Features:

- Heavy gauge steel construction for long-term durability in a rugged environment
- Black powdercoat finish for maximum corrosion resistance
- The light bracket attaches to the overhead guard and allows a single light to be mounted in multiple orientations
- The bracket can be used with overhead guard supports that are 2" to 5" wide
- The bracket provides for 4.75" of travel up and down
- The bracket accommodates a light with hardware up to 3/8"

Item No. **7160-0610**



GAMBER
JOHNSON

Very Well Connected™

3001 Borham Ave. | Stevens Point, WI 54481, USA
Phone: 715.344.3482 | Toll-free: 800.487.9220 | Fax: 715.344.5209
Email: gamberj@gamberjohnson.com | Website: www.gamberjohnson.com

Follow us on:



This document, including images, may not be reproduced partly or fully without the expressed written consent of Gamber-Johnson's Marketing Department.
© Copyright 2015 Gamber-Johnson LLC