

DEFINING RUGGED

EXCEPTIONAL ENGINEERING | ROCK SOLID | EXTENSIVE TESTING

NEW



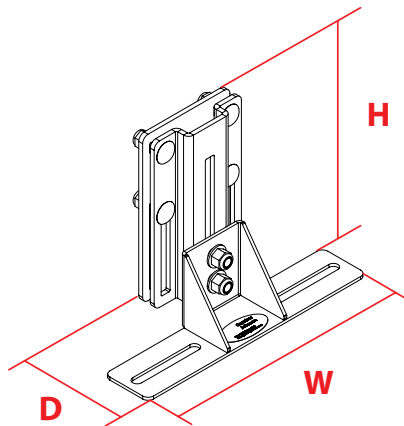
FORKLIFT MOUNT: DUAL LIGHT BRACKET AND PLATE

Placement	Tilt	Weight	Height	Width	Depth
Attaches directly to the top of the overhead guard	No	4.10 lbs.	7.40"	10.0"	3.97"

Features:

- Heavy gauge steel construction for long-term durability in a rugged environment
- Black powdercoat finish for maximum corrosion resistance
- The light bracket attaches to the overhead guard and allows up to two lights to be mounted in multiple orientations
- The bracket can be used with overhead guard supports that are 2" to 5" wide
- The bracket provides for 4.75" of travel up and down
- There are two (2) three inch slots to accommodate lights with hardware up to 3/8"

Item No. 7160-0611



Very Well Connected™

3001 Borham Ave. | Stevens Point, WI 54481, USA
Phone: 715.344.3482 | Toll-free: 800.487.9220 | Fax: 715.344.5209
Email: gamberj@gamberjohnson.com | Website: www.gamberjohnson.com

Follow us on:



This document, including images, may not be reproduced partly or fully without the expressed written consent of Gamber-Johnson's Marketing Department.
© Copyright 2015 Gamber-Johnson LLC