



SIEMENS

VarioReach

Telescopic Conveyors

[siemens-logistics.com](https://www.siemens-logistics.com)

Siemens' VarioReach Telescopic Conveyors improve the ergonomics and productivity of the loading and unloading of loose goods. With both belted and gravity models, as well as a wide variety of other options, they are a perfect solution for heavy-duty loading and unloading. Siemens has in-house engineering capability to customize the conveyors as required. Each VarioReach Telescopic Conveyor is proudly manufactured in the USA.

Benefits

- Height adjustment allows the extendable to cantilever over the trailer bed, as well as being able to adapt to various yard grades.
- Lower operating costs when compared to other types of loading or unloading operations.
- Improved operator ergonomics and work-flow result in increased efficiency.

- Various vehicle lengths can be accommodated by the unit.
- Available reversible drive for trailer loading.

Mechanical Features

- Powered extend/retract using motor and sprocket driven dual drive chains for redundancy.
- Multi-speed hydraulic height adjustment.
- Patented Cable reeving system eliminates cable reels.
- Safety guards around the base unit.
- Reduced space between booms.
- 50lbs/LF load capacity.

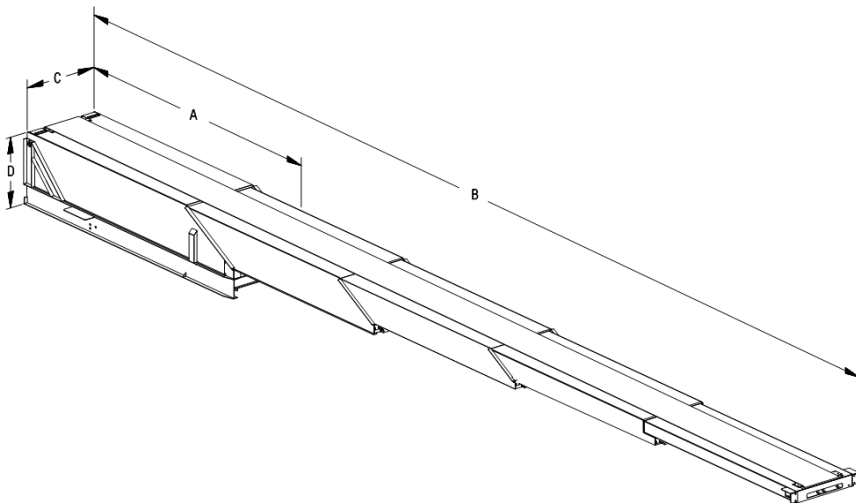


Available Options

- Reversible Belt Control
- Operator Light Kits
- Heating and Cooling Options
- 208VAC/480VAC/575VAC Powered Units

Technical data

	TB5-25/71		TG5-18/51		TB5-18/52		TB7-13/51	
Standard Unit Retracted Length (A)	24' - 8"	7,518 mm	19'-10 7/8"	6,067 mm	18' - 6"	5,486 mm	13' - 7"	4,089 mm
Standard Unit Extended Length (B)	95' - 8"	29,159 mm	72'-1 1/2"	21,984 mm	69' - 11"	21,310 mm	65' - 4"	19,910 mm
Standard Unit Reach (B-A)	71' - 0"	21,640 mm	52'-2 5/8"	15,916 mm	51' - 5"	15,671 mm	51' - 11"	15,821 mm
Discharge/Charge Elevation	Between 4' and 10' - 6"		To suit the site conditions		Between 4' and 10' - 6"		Between 4' and 10' - 6"	
Base Width (C)	3' - 10"	1,168 mm	3'-7 1/2"	1,105 mm	3'-9"	1,149 mm	3'- 11"	1,193 mm
Base Depth (D)	3' - 10"	1,168 mm	2'-10 1/8"	867 mm	3' - 0"	933 mm	4'- 1"	1,244 mm
Roller Width	24" BF	610 mm	32"	813 mm	24" BF	610 mm	24" BF	610 mm
Boom Drive	1.0 HP (0.75 kW)		1.0 HP (0.75 kW)		1.0 HP (0.75 kW)		1.0 HP (0.75 kW)	
Boom Speed	40 FPM (0.2 m/s)		40 FPM (0.2 m/s)		40 FPM (0.2 m/s)		40 FPM (0.2 m/s)	
Belt Drive	1.5 HP (1.1 kW)		N/A		1.5 HP (1.1 kW)		1.5 HP (1.1 kW)	
Belt Speed	50/80/100 FPM		N/A		50/80/100 FPM		50/80/100 FPM	
Load Capacity	50 lb/ft (74.4 kg/m)		50 lb/ft (74.4 kg/m)		50 lb/ft (74.4 kg/m)		50 lb/ft (74.4 kg/m)	
Weight (Approx.)	18,000 lbs. (8,164 kg)		9,000 lb (4,082 kg)		14,500 lb (6,577 kg)		13,500 lb (6,123 kg)	
Package Length (Max/Min)	4'	1219 mm	4'	1219 mm	4'	1219 mm	4'	1219 mm
Package Width (Max/Min)	2'-06"	762 mm	2'-06"	762 mm	2'-06"	762 mm	2'-06"	762 mm
Package Height (Max/Min)	3'	914 mm	3'	914 mm	3'	914 mm	3'	914 mm
FLA for Unit	22.7 Amps	N/A	8.7 Amps	N/A	22.7 Amps	N/A	22.7 Amps	N/A
Largest Motor FLA	5.3 Amps	N/A	2.1 Amps	N/A	5.3 Amps	N/A	5.3 Amps	N/A
Intermittent Standard Load	7.1 Amps	N/A	2.5 Amps	N/A	7.1 Amps	N/A	7.1 Amps	N/A
Est. Cost of Annual Consumables Usage	\$1,500	N/A	\$500	N/A	\$1,500	N/A	\$1,500	N/A
dB (Normal Working at Front Loading Packages)	72dB	N/A	55dB	N/A	72dB	N/A	72dB	N/A



Siemens Postal, Parcel & Airport Logistics LLC
 2700 Esters Blvd., Suite 200 B
 DFW Airport, TX 75261, U.S.A.
 Email: sppal.info.us@siemens.com
www.siemens-logistics.com

© 2019 Siemens Postal, Parcel & Airport Logistics LLC U.S.
 Siemens disclaims any liability for any information as contained in this document or any other media such as brochures, advertisements, catalogs or as is otherwise brought to your attention, whether originated by Siemens or any other third party. Siemens reserves all rights with respect to the content of this document, which shall not be reproduced, copied, modified or disclosed in total or parts thereof to any other party without Siemens' prior written consent.

EN-US-201904-PA-VRe